

Technical Information



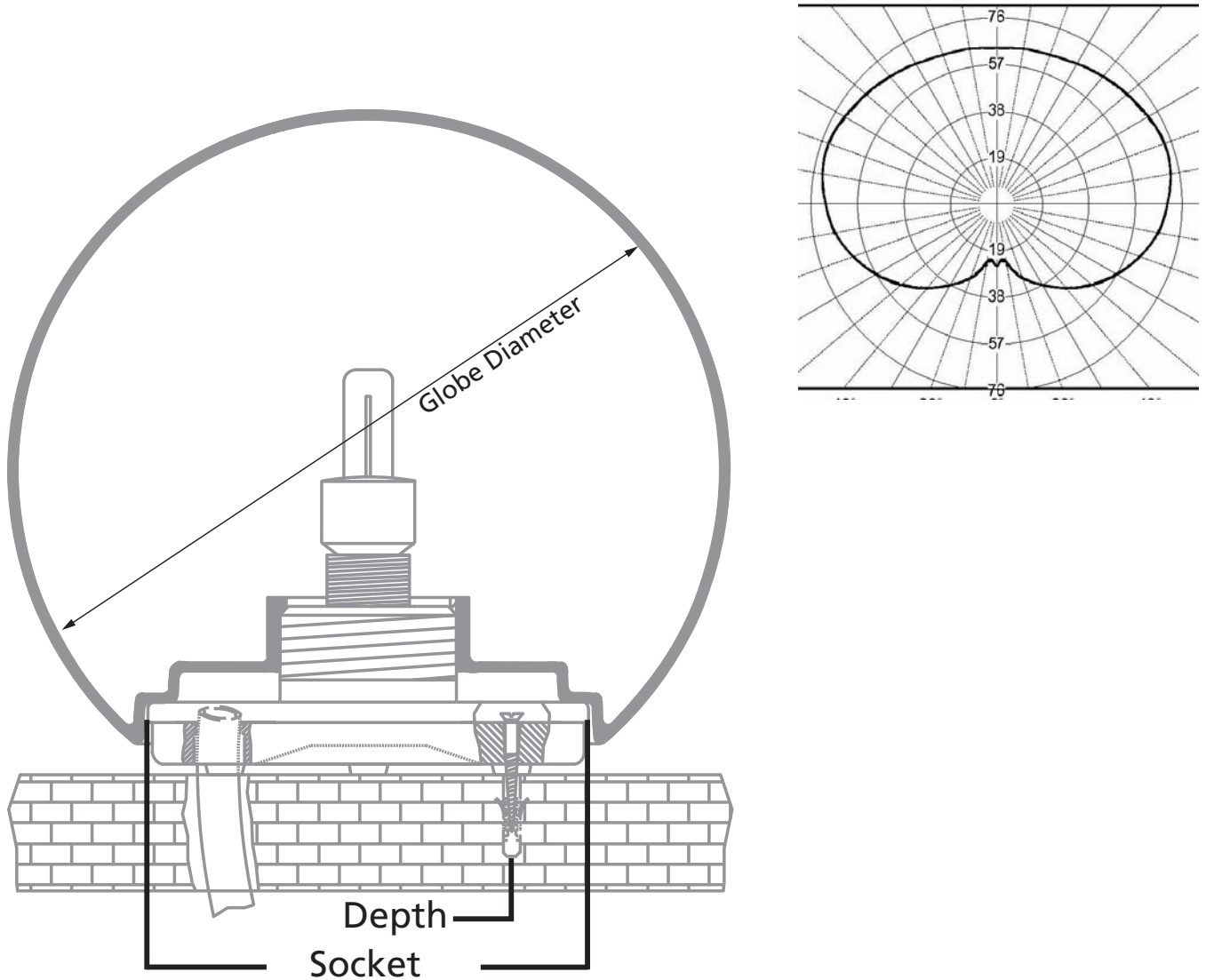
Table of Contents



Surface Mounted	5
Sub Surface Base	6
Portable Base Full Globe	7
Surface Mounted Hemisphere Globe	8
Sub Surface Mount Hemisphere Globe	9
Portable Hemisphere Globe	10
Moonlight Pendant	11
Floating Moonlight	12
Moonlight® Pendant	13
Suspended Moonlight®	14
Cordless Battery Full Globe	15
Cordless Battery Half Globe	16
Floating Battery Moonlight®	17
Column Light	18
Surface Mounted Moonlight Sound System	19
Sub Surface Mounted Moonlight Sound System	20
Portable Moonlight Sound System	21
Pendant Moonlight Sound System	22
CSA Certification	23



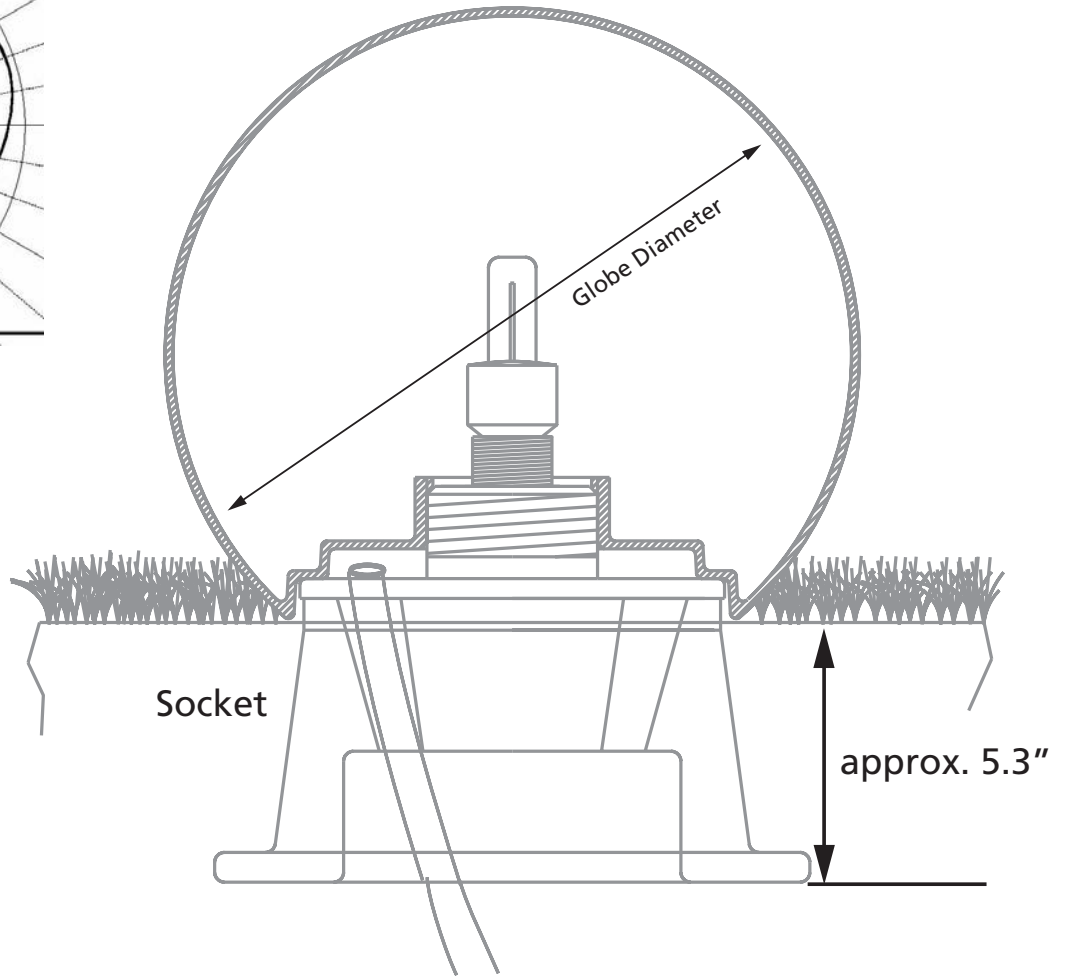
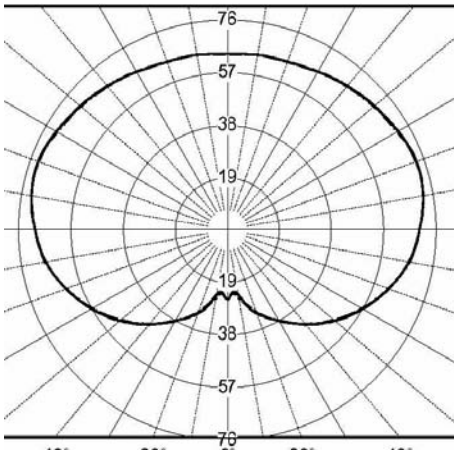
Full Globe Surface Mount • MAG



Description	Globe Diameter	Article Number	Nominal Voltage	Ingress Protection	Protection Class	Type of Socket	Type of Lamp	Wattage	Adapter	Filter
MAG	250mm / 10"	250.010	120 v	IP 66	II	E27	Dulux EL	4w	A5	A5
MAG	350mm / 14"	350.010	120 v	IP 66	II	E27	Dulux EL	7w	A7	A7
MAG	550mm / 22"	550.010	120 v	IP 66	II	E27	Dulux EL	15w	A15	A15
MAG	750mm / 30"	750.010	120 v	IP 66	II	E27	Dulux EL	23w	A23	A23

Globe Diameter	Socket Size	Hole Depth
250mm / 10"	149mm / 5.875"	106mm / 5.875"
350mm / 14"	210mm / 8.25"	161mm / 6.33"
550mm / 22"	318mm / 12.5"	254mm / 10"
750mm / 30"	438mm / 17.25"	330mm / 13"

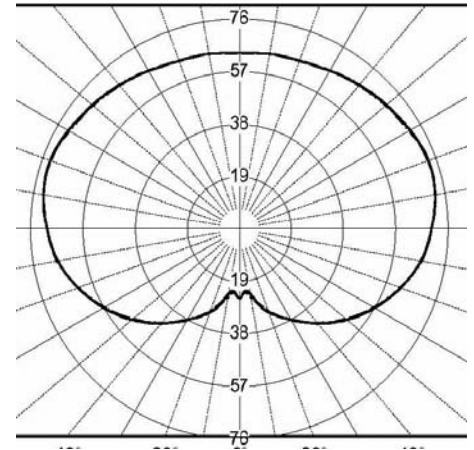
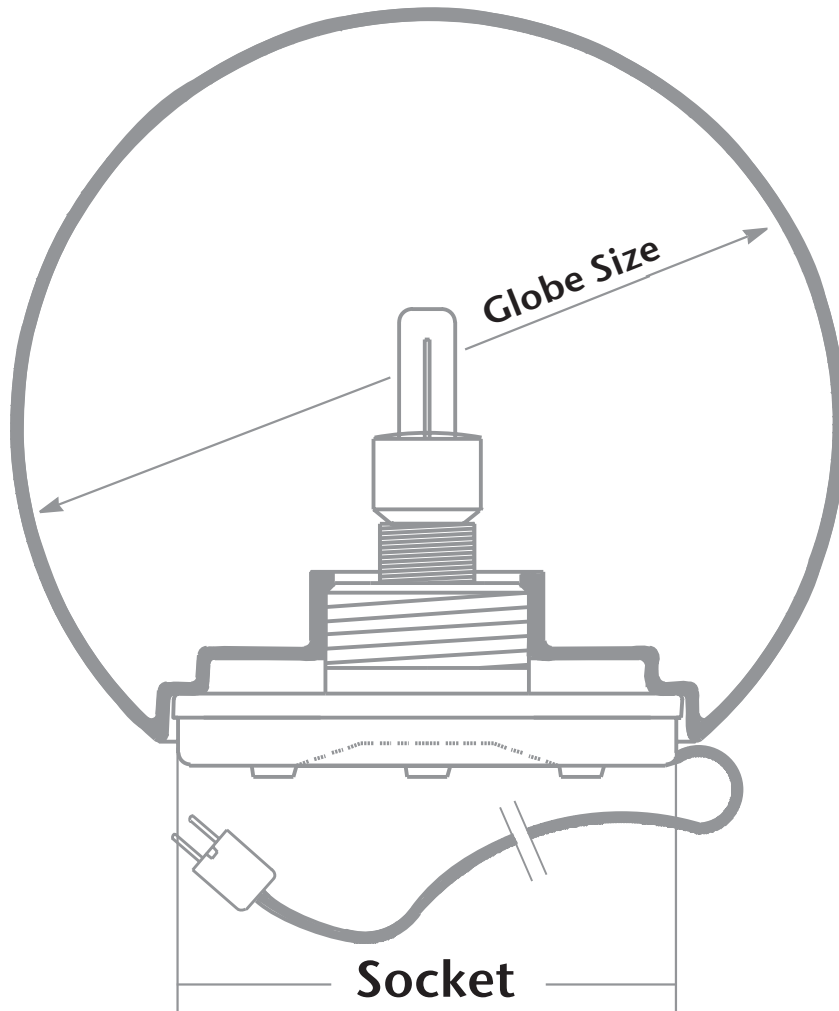
Full Globe Sub-Surface Base • MBG



Description	Globe Diameter	Article Number	Nominal Voltage	Ingress Protection	Protection Class	Type of Socket	Type of Lamp	Wattage	Adapter	Filter
MBG	250mm / 10"	250.020	120 v	IP 66	II	E27	Dulux EL	4w	A5	A5
MBG	350mm / 14"	350.020	120 v	IP 66	II	E27	Dulux EL	7w	A7	A7
MBG	550mm / 22"	550.020	120 v	IP 66	II	E27	Dulux EL	15w	A15	A15
MBG	750mm / 30"	750.020	120 v	IP 66	II	E27	Dulux EL	23w	A23	A23

Globe Diameter	Socket Size
250mm / 10"	215mm / 5.88"
350mm / 14"	210mm / 8.26"
550mm / 22"	318mm / 12.5"
750mm / 30"	438mm / 17.24"

Full Globe Portable Base • MFL

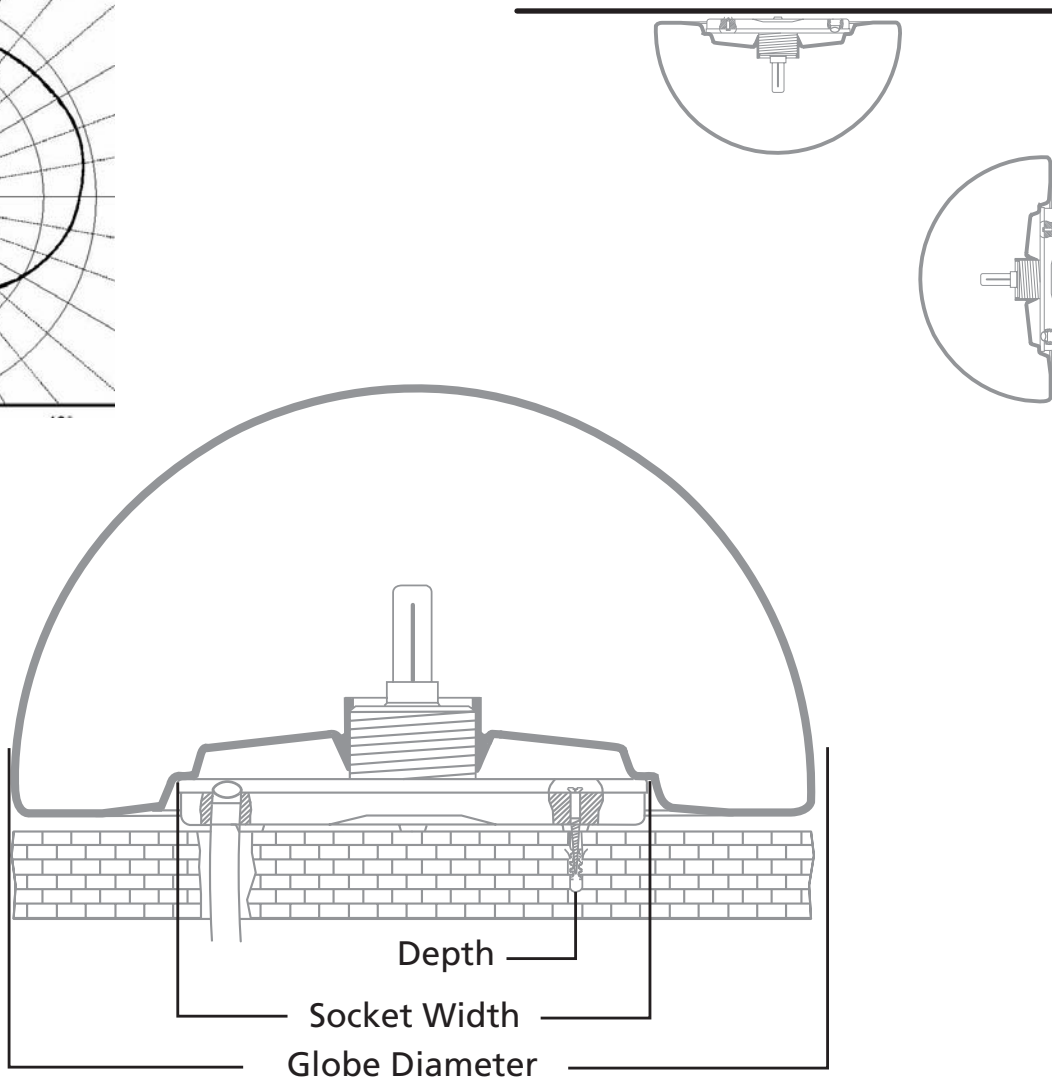
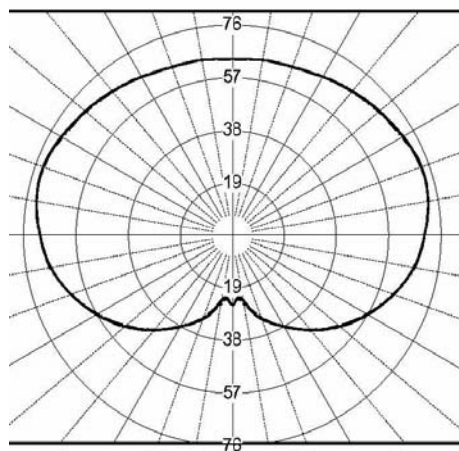


Description	Globe Diameter	Article Number	Nominal Voltage	Ingress Protection	Protection Class	Type of Socket	Type of Lamp	Wattage	Adapter	Filter
MFL	250mm / 10"	250.030 ¹	120 v	IP 66	II	E27	Dulux EL	4w	A5	A5
MFL	350mm / 14"	350.030 ¹	120 v	IP 66	II	E27	Dulux EL	7w	A7	A7
MFL	550mm / 22"	550.030 ¹	120 v	IP 66	II	E27	Dulux EL	15w	A15	A15
MFL	750mm / 30"	750.030 ¹	120 v	IP 66	II	E27	Dulux EL	23w	A23	A23

Globe Diameter	Socket Size
250mm / 10"	149mm / 5.88"
350mm / 14"	210mm / 11.81"
550mm / 22"	318mm / 12.5"
750mm / 30"	438mm / 17.24"

¹ Includes 16.4 (5 meter) Cable

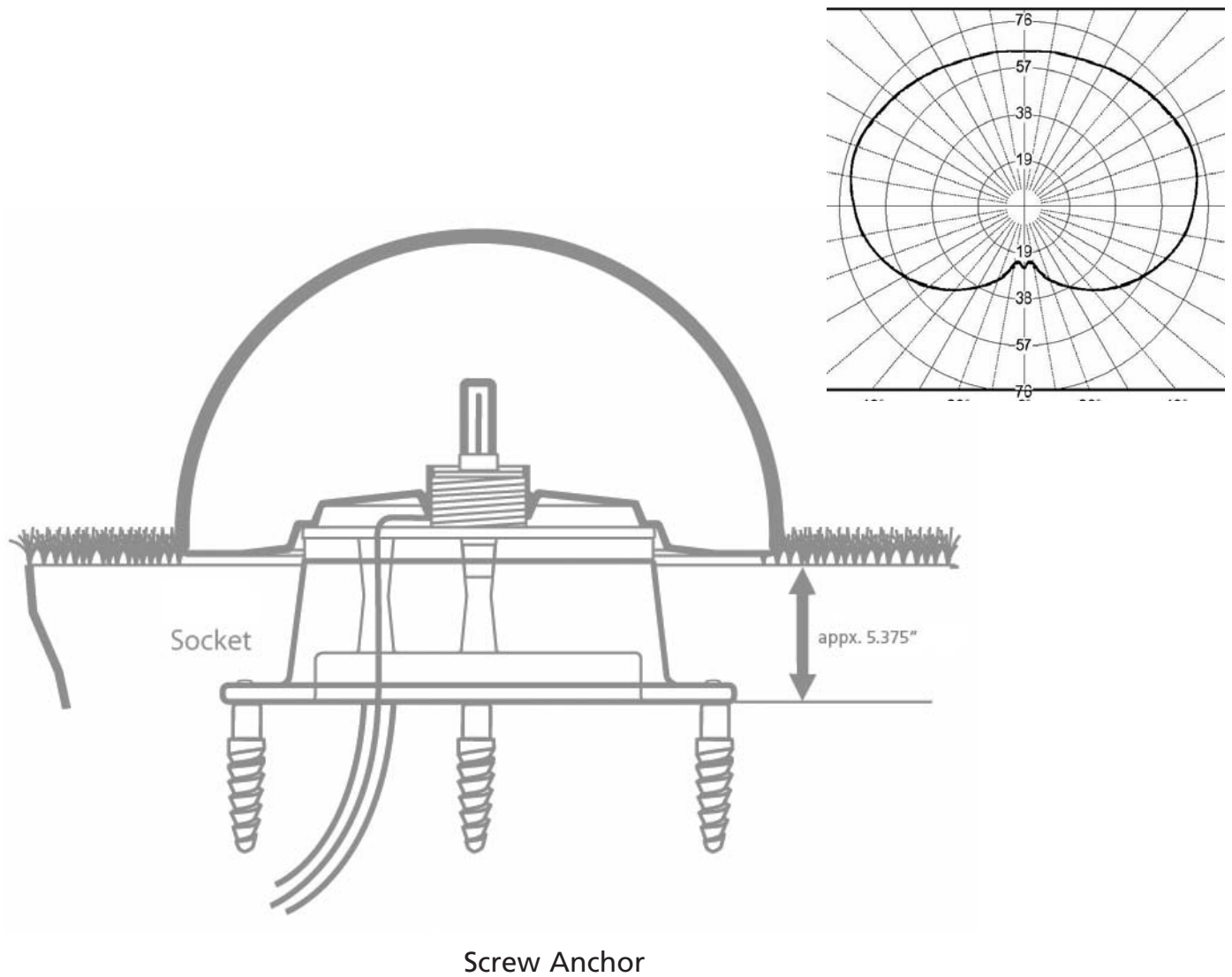
Surface Mounted Hemisphere • HMAG



Description	Globe Diameter	Article Number	Nominal Voltage	Ingress Protection	Protection Class	Type of Socket	Type of Lamp	Wattage	Adapter	Filter
HMAGE	350mm / 14"	350.040	120 v	IP 66	II	G24q1	Dulux D/E	10w	WA7	A7
HMAGE	550mm / 22"	550.040	120 v	IP 66	II	G24q1	Dulux T/E	13w	WA7	A7
HMAE	750mm / 30"	750.040	120 v	IP 66	II	E27	Dulux EL	23w	A23	A23

Globe Diameter	Socket Size	Hole Depth
350mm / 14"	250mm / 9.84"	196mm / 7.71"
550mm / 22"	317mm / 12.5"	258mm / 10"
750mm / 30"	438mm / 17.25"	330mm / 13"

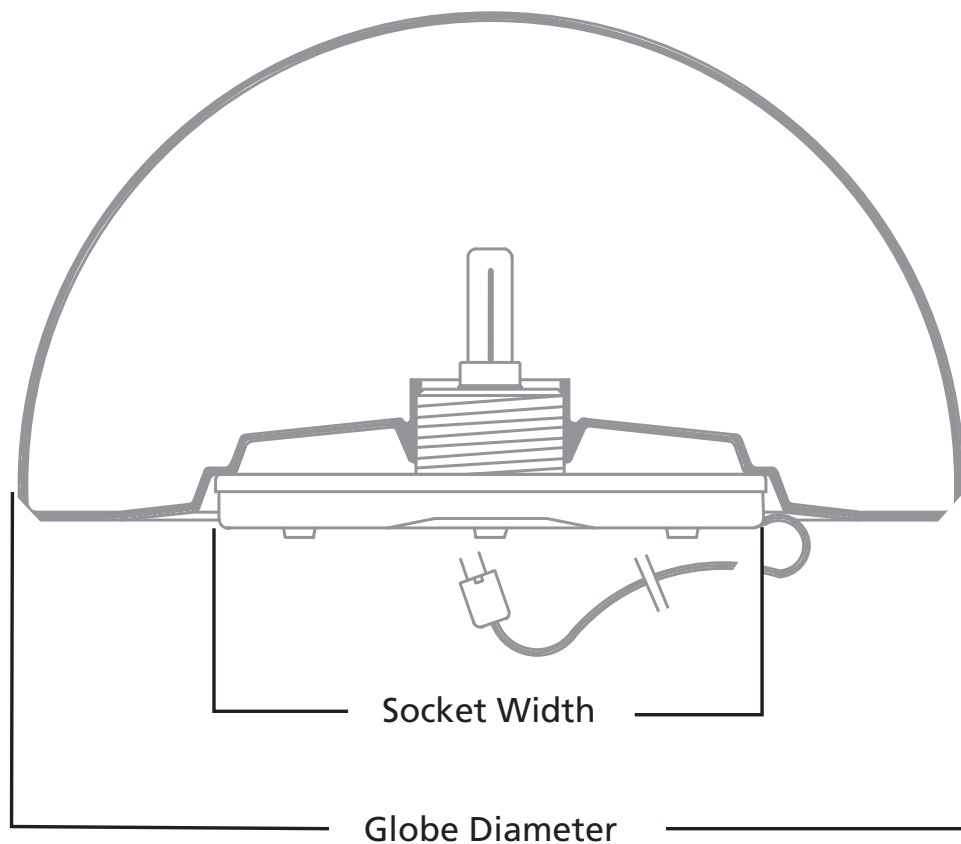
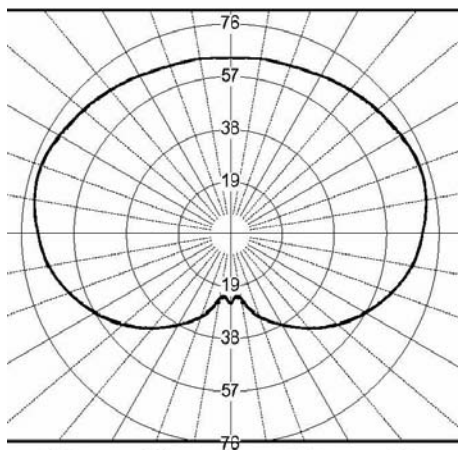
Sub Surface Base Hemisphere • HMBG



Description	Globe Diameter	Article Number	Nominal Voltage	Ingress Protection	Protection Class	Type of Socket	Type of Lamp	Wattage	Adapter	Filter
HMBGE	350mm / 14"	350.050	120 v	IP 66	II	G24q1	Dulux D/E	10w	WA7	A7
HMBGE	550mm / 22"	550.050	120 v	IP 66	II	G24q1	Dulux T/E	13w	WA7	A7
HMBG	750mm / 30"	750.050	120 v	IP 66	II	E27	Dulux EL	23w	A23	A23

Globe Diameter	Socket Size	Hole Depth
350mm / 14"	340mm / 13.38"	196mm / 9.84"
550mm / 22"	460mm / 18.11"	258mm / 12.48"
750mm / 30"	636mm / 25"	438mm / 17.24"

Portable Hemisphere Globe • HMFL

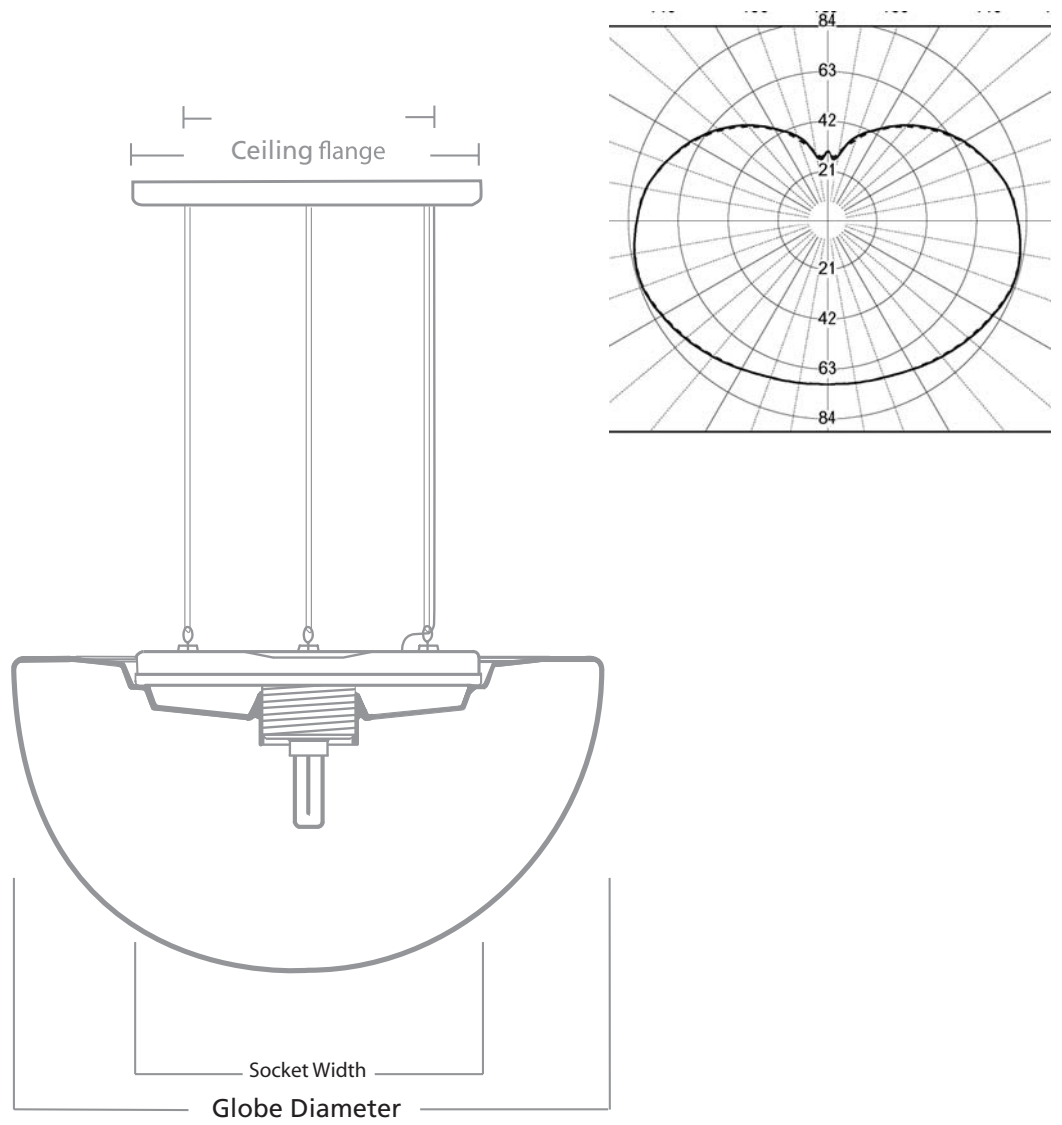


Description	Globe Diameter	Article Number	Nominal Voltage	Ingress Protection	Protection Class	Type of Socket	Type of Lamp	Wattage	Adapter	Filter
HMFL	350mm / 14"	350.060 ¹	120 v	IP 66	II	G24q1	Dulux D/E	10w	WA7	A7
HMFL	550mm / 22"	550.060 ¹	120 v	IP 66	II	G24q1	Dulux T/E	13w	WA7	A7
HMFL	750mm / 30"	750.060 ¹	120 v	IP 66	II	E27	Dulux EL	23w	A23	A23

Globe Diameter	Socket Size
350mm / 14"	250mm / 9.84"
550mm / 22"	317mm / 12.5"
750mm / 30"	438mm / 17.24"

¹ Includes 16.4 (5 meter) Cable

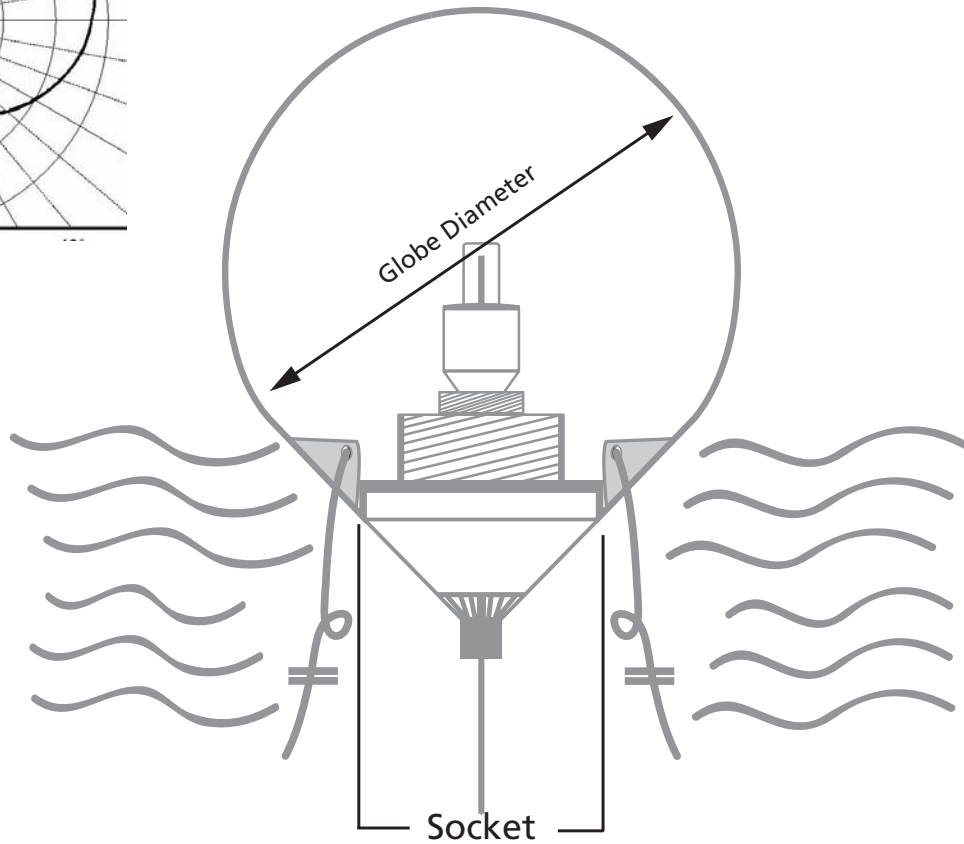
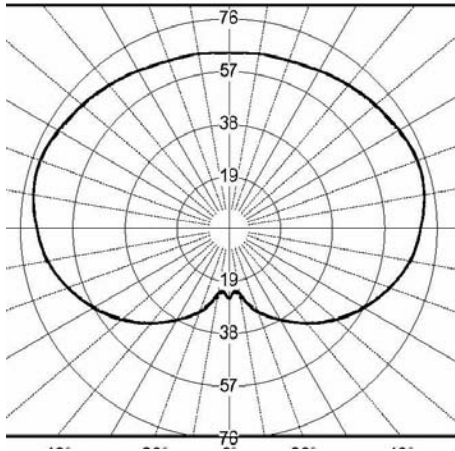
Hemisphere Pendant • MHH



Description	Globe Diameter	Article Number	Nominal Voltage	Ingress Protection	Protection Class	Type of Socket	Type of Lamp	Wattage	Adapter	Filter
MHHE	350mm / 14"	350.100 ²	120 v	IP 54	II	G24q1	Dulux D/E	10w	WA7	A5
MHHE	550mm / 22"	550.100 ²	120 v	IP 54	II	G24q1	Dulux T/E	13w	WA7	A7
MHH	750mm / 30"	750.010	120 v	IP 54	II	E27	Dulux EL	23w	A23	A23

Light Extensions available

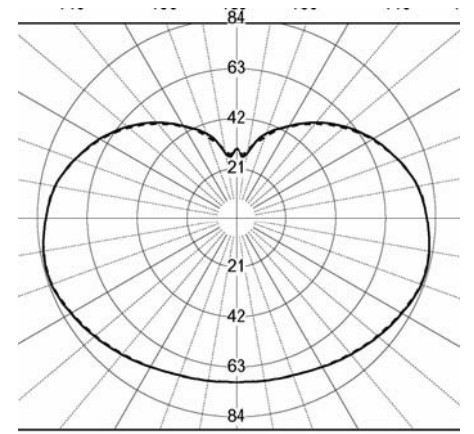
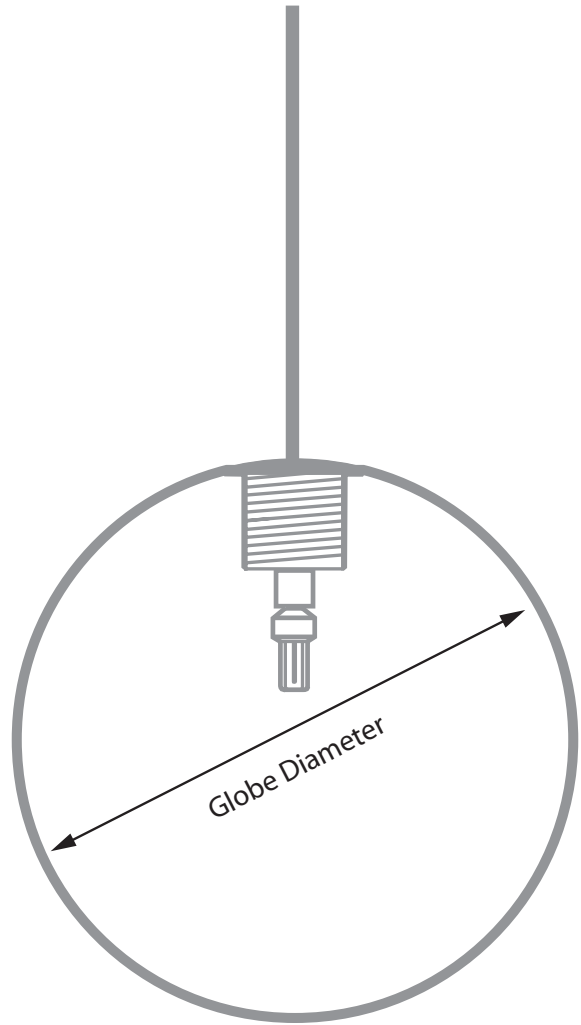
Floating w/30ft or 65 ft cable • MWV



Description	Globe Diameter	Article Number	Nominal Voltage	Ingress Protection	Protection Class	Type of Socket	Type of Lamp	Wattage	Adapter	Filter
MWV	250mm / 10"	250.070	12 v DC	IP X7	II	E27	DC-ESL	4w	A5	A5
MWV	350mm / 14"	350.070	12 v DC	IP X7	II	E27	DC-ESL	7w	A7	A7
MWV	550mm / 22"	550.070	12 v DC	IP X7	II	E27	DC-ESL	15w	A15	A15
MWV	750mm / 30"	750.070	12 v DC	IP X7	II	E27	DC-ESL	23w	A23	A23

Globe Diameter	Socket Size
250mm / 10"	110mm / 4.33"
350mm / 14"	110mm / 4.33"
550mm / 22"	210mm / 8.26"
750mm / 30"	210mm / 8.26"

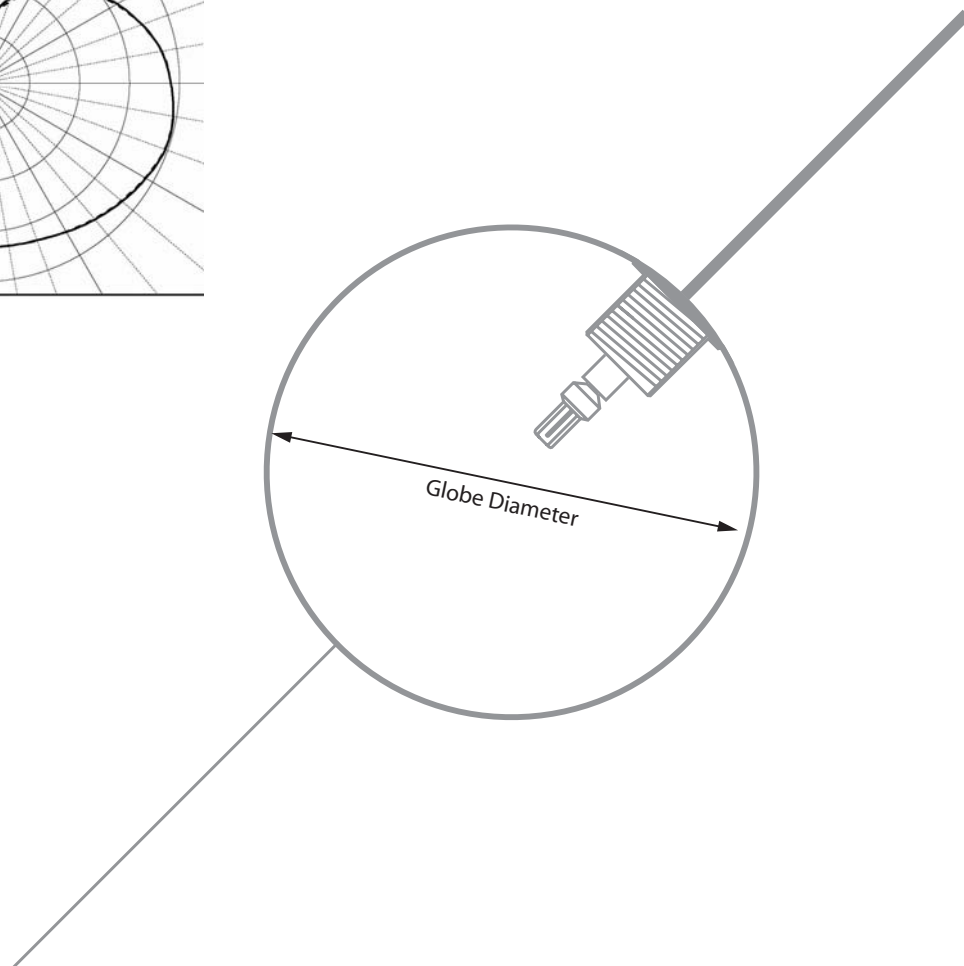
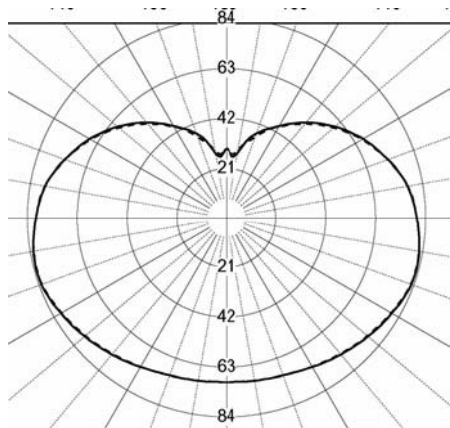
Pendant Full Globe • MLH



Description	Globe Diameter	Article Number	Nominal Voltage	Ingress Protection	Protection Class	Type of Socket	Type of Lamp	Wattage	Adapter	Filter
MLH	350mm / 14"	350.030 ¹	120 v	IP 54	II	E27	Dulux EL	7w	A7	A7
MLH	550mm / 22"	550.030 ¹	120 v	IP 54	II	E27	Dulux EL	15w	A15	A15
MLH	750mm / 30"	750.030 ¹	120 v	IP 54	II	E27	Dulux EL	23w	A23	A23

¹Includes standard supply of 9.84' cable other lengths available

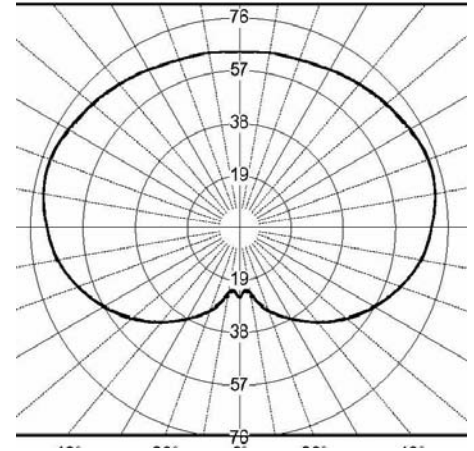
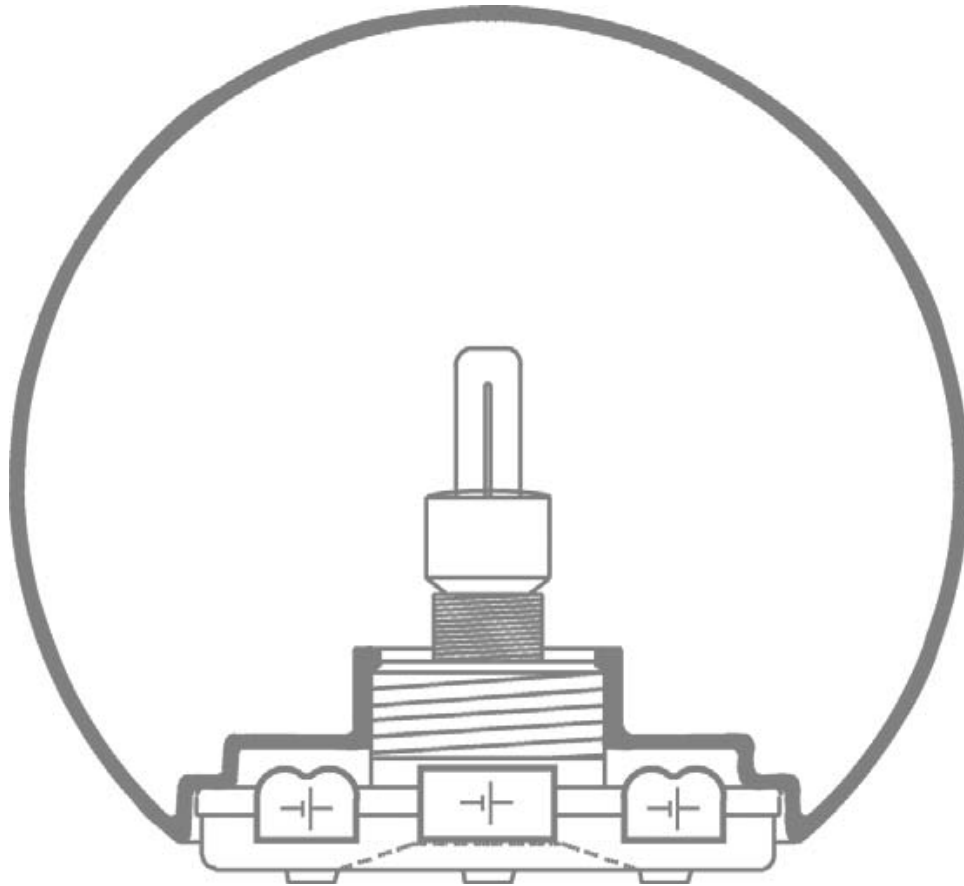
Suspended Full Globes • MLHF



Description	Globe Diameter	Article Number	Nominal Voltage	Ingress Protection	Protection Class	Type of Socket	Type of Lamp	Wattage	Adapter	Filter
MLHF	350mm / 14"	350.120 ³	120 v	IP 54	II	E27	Dulux EL	7w	A7	A7
MLHF	550mm / 22"	550.120 ³	120 v	IP 54	II	E27	Dulux EL	15w	A15	A15
MLHF	750mm / 30"	750.120 ³	120 v	IP 54	II	E27	Dulux EL	23w	A23	A23

Includes standard supply of 9.84' cable and standard 16.4' stainless steel cable

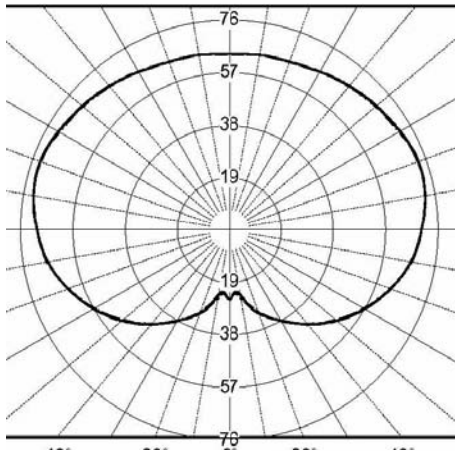
Full Globe Cordless Battery • BMFL



Description	Globe Diameter	Item	Ingress Protection	Protection Class	Type of Lamp	Wattage	Adapter	Filter	Battery Type	Capacity	Charge	Charging Time
BMFL	250mm / 10"	250.130	IP 54	II	DC-ESL	4w	A5	A5	NimH	2700mAh	7-8 hrs	4-5 hrs
BMFL	350mm / 14"	350.130	IP 54	II	DC-ESL	7w	A7	A7	NimH	4500mAh	7-9 hrs	7-8 hrs
BMFL	550mm / 22"	550.130	IP 54	II	DC-ESL	15w	A15	A15	NimH	8000mAh	7-10 hrs	9-10 hrs
BMFL	750mm / 30"	750.130	IP 54	II	DC-ESL	23w	A23	A23	NimH	10000mAh	7-10 hrs	10-13 hrs

Nominal Voltage for all Battery Moonlights is 12V DC All Socket Types Are E27
 with LED option - charge can be as long as 80 hours
 Light Extensions available

Cordless Battery Hemisphere Globe • BHMFL

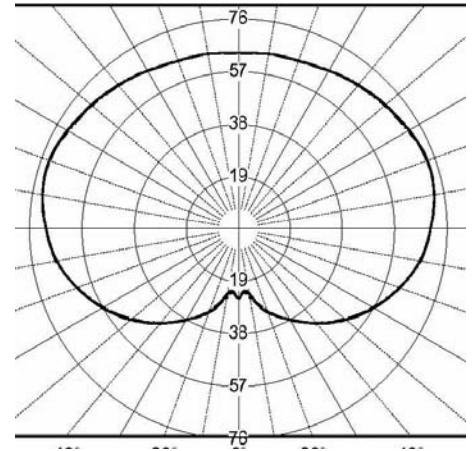
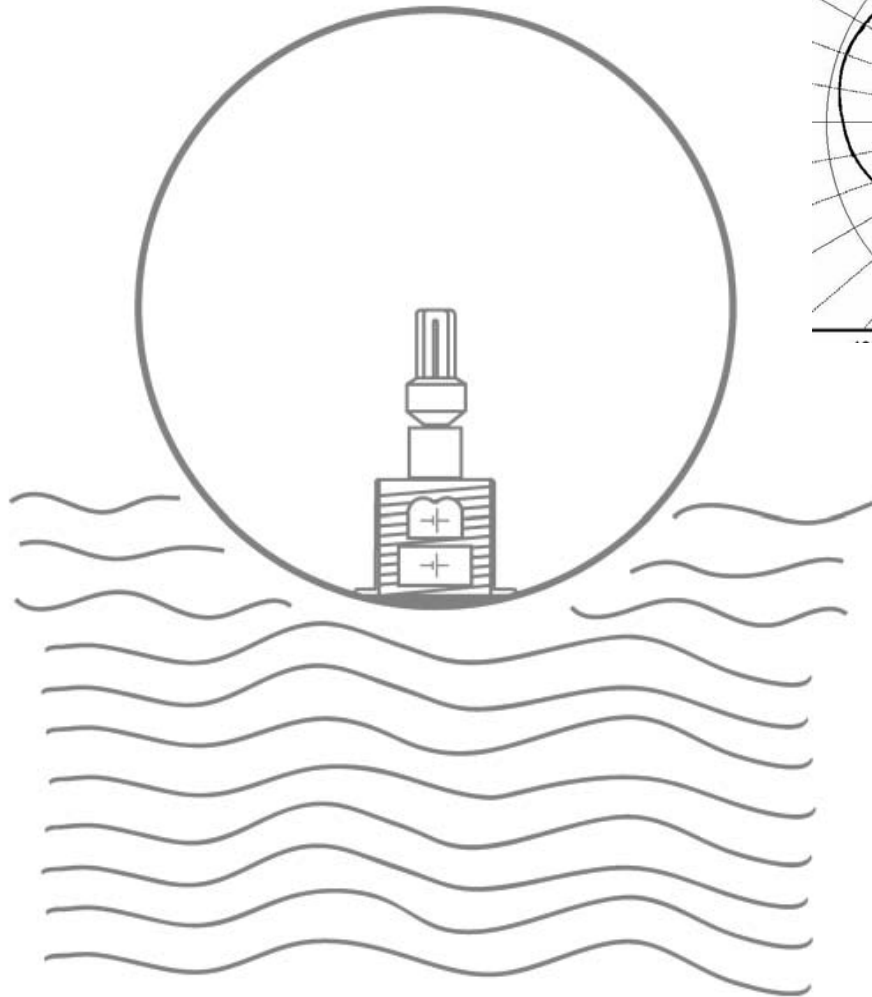


Description	Globe Diameter	Item	Ingress Protection	Protection Class	Type of Lamp	Wattage	Adapter	Filter	Battery Type	Capacity	Charge	Charging Time
BHMFL	350mm / 14"	350.150	IP 54	II	DC-ESL	7w	A5	A7	NimH	4500mAh	7-9 hrs	7-8 hrs
BHMFL	550mm / 22"	550.150	IP 54	II	DC-ESL	15w	A7	A15	NimH	800mAh	7-10 hrs	9-10 hrs
BHMFL	750mm / 30"	750.150	IP 54	II	DC-ESL	23w	A15	A23	NimH	10000mAh	7-10 hrs	10-13 hrs

Globe Diameter	Socket Type
350mm / 14"	2G7
550mm / 22"	G24q1
750mm / 30"	E27

Nominal Voltage for all Battery Moonlights is 12V DC
with LED option - charge can be as long as 80 hours
Light Extensions available

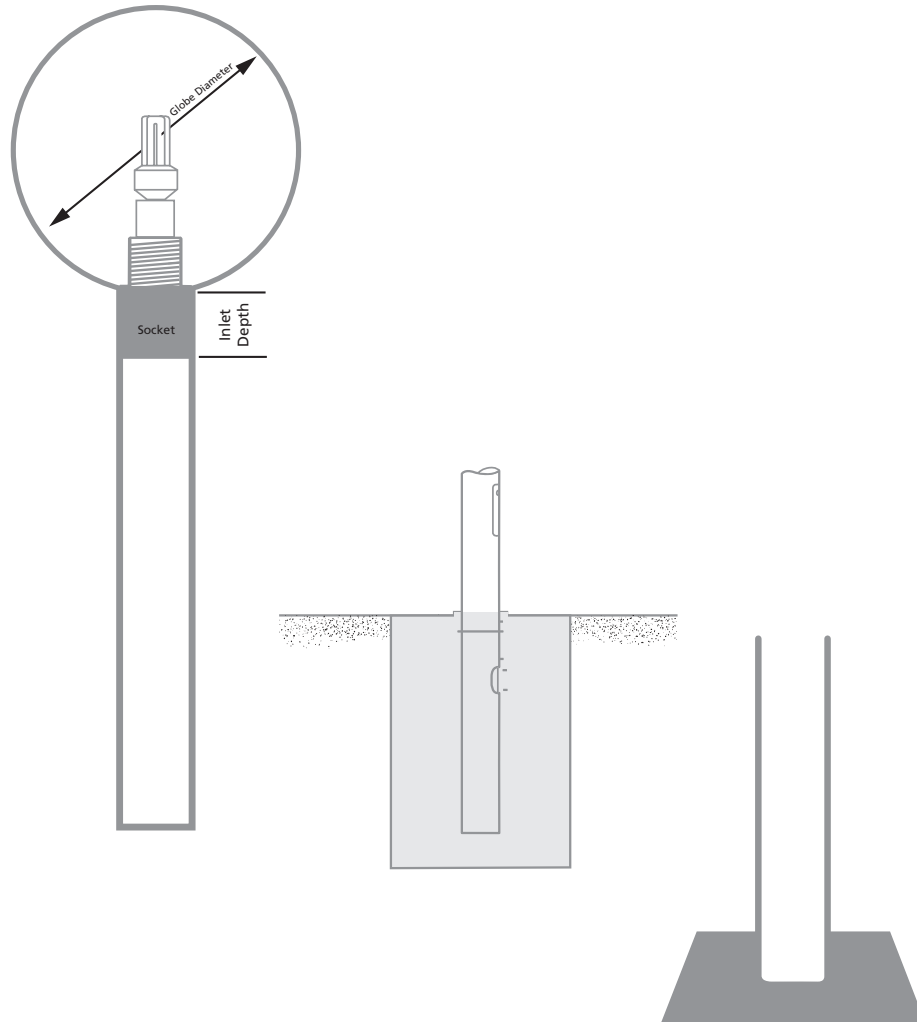
Cordless Battery Floating Globe • BMWV



Description	Globe Diameter	Item	Ingress Protection	Protection Class	Type of Lamp	Wattage	Adapter	Filter	Battery Type	Capacity	Charge	Charging Time
BMWV-R	350mm / 14"	350.140	IP X7	II	DC-ESL	7w	A7	A7	Li-ionen	4300mAh	7-9 hrs	7-8 hrs
BMWV-R	550mm / 22"	550.140	IP X7	II	DC-ESL	15w	A15	A15	NimH	8000mAh	8-10 hrs	9-10 hrs
BMWV-R	750mm / 30"	750.140	IP X7	II	DC-ESL	23w	A23	A23	NimH	10000mAh	8-10 hrs	10-13 hrs

Nominal Voltage for all Battery Moonlights is 12V DC All Socket Types Are E27
 A special key is needed to open floating Moonlights
 Example - with LED option on 350mm up to 80 hours of charge time is possible

Column Moonlight

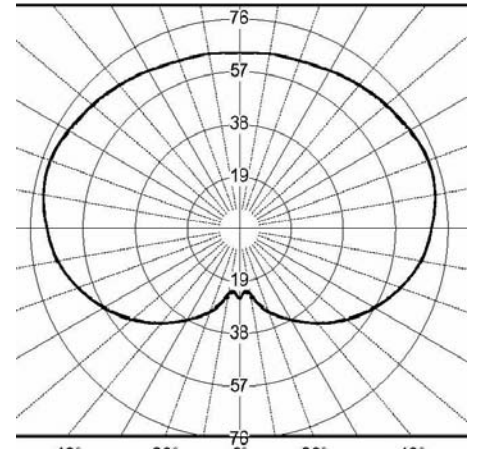
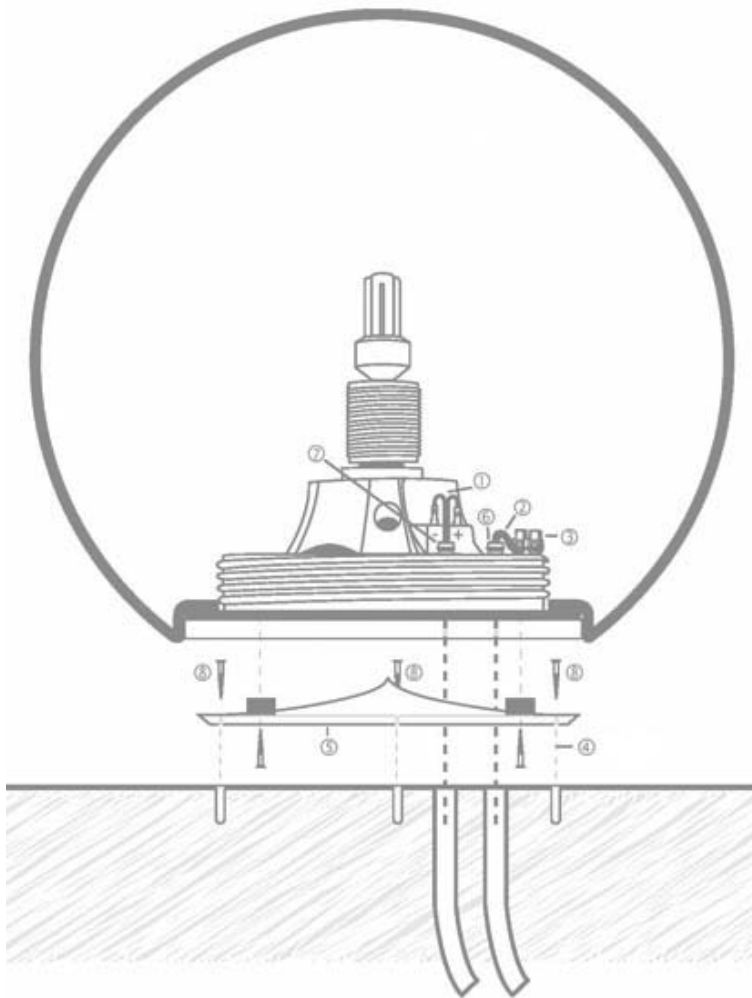


Description	Globe Diameter	Article Number	Nominal Voltage	Ingress Protection	Protection Class	Type of Socket	Type of Lamp	Wattage	Adapter	Filter
CML	350mm / 14"	350.161-171	120 v	IP 54	II	E27	Dulux EL	7w	A7	A7
CML	550mm / 22"	550.161-171	120 v	IP 54	II	E27	Dulux EL	15w	A15	A15
CML	750mm / 30"	750.161-171	120 v	IP 54	II	E27	Dulux EL	23w	A23	A23

Globe Diameter	Socket Size	Inlet Depth	Inside Pipe Diameter	Outside Pipe Diameter
350mm / 14"	110mm / 4.33"	250mm / 9.84"	95mm / 3.74"	102mm / 4.01"
550mm / 22"	210mm / 8.26"	317mm / 12.48"	144 mm / 5.66"	152mm / 5.98"
750mm / 30"	210mm / 8.26"	438mm / 17.24"	186mm / 7.33"	194mm / 7.63"

Lighting Extensions available

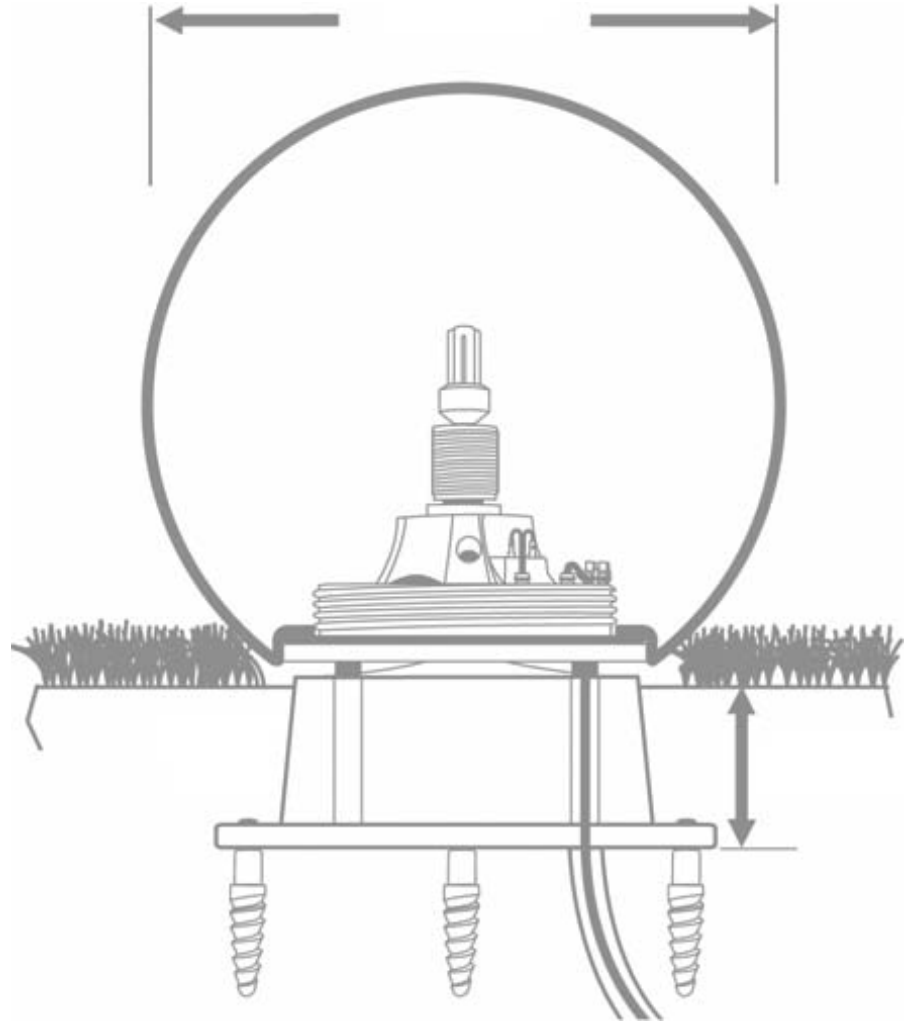
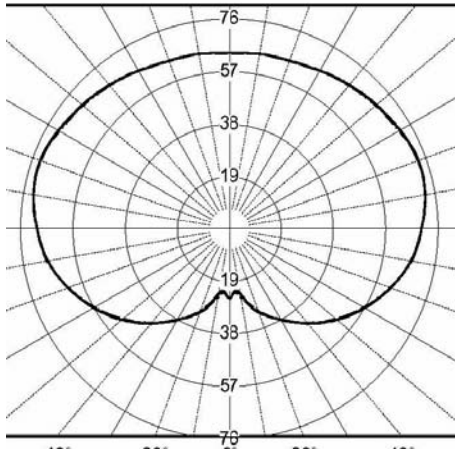
Sound System Surface Mounted



Description	Globe Diameter	Article Number	Nominal Voltage	Ingress Protection	Protection Class	Type of Socket	Type of Lamp	Wattage	Adapter	Filter
MLSMAG	350mm / 14"	350.010	120 v	IP 66	II	E27	Dulux EL	7w	A7	A7
MLSMAG	550mm / 22"	550.010	120 v	IP 66	II	E27	Dulux EL	15w	A15	A15
MLSMAG	750mm / 30"	750.010	120 v	IP 66	II	E27	Dulux EL	23w	A23	A23

Moonlight Sound System Specifications						
Description	Globe Diameter	Impedance	Maximum Power	RMS	Frequency Range	Sensitivity
MLSMAG	350mm / 14"	4 Ohms	120 Watt	60 Watt	60 - 20,000 Hz.	90 dB 1w @1m
MLSMAG	550mm / 22"	4 Ohms	150 Watt	75 Watt	50 - 20,000 Hz.	90 dB 1w @1m
MLSMAG	750mm / 30"	4 Ohms	200 Watt	100 Watt	40 - 20,000 Hz.	90 dB 1w @1m

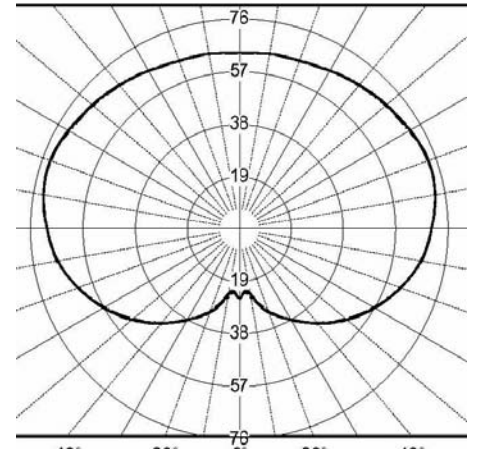
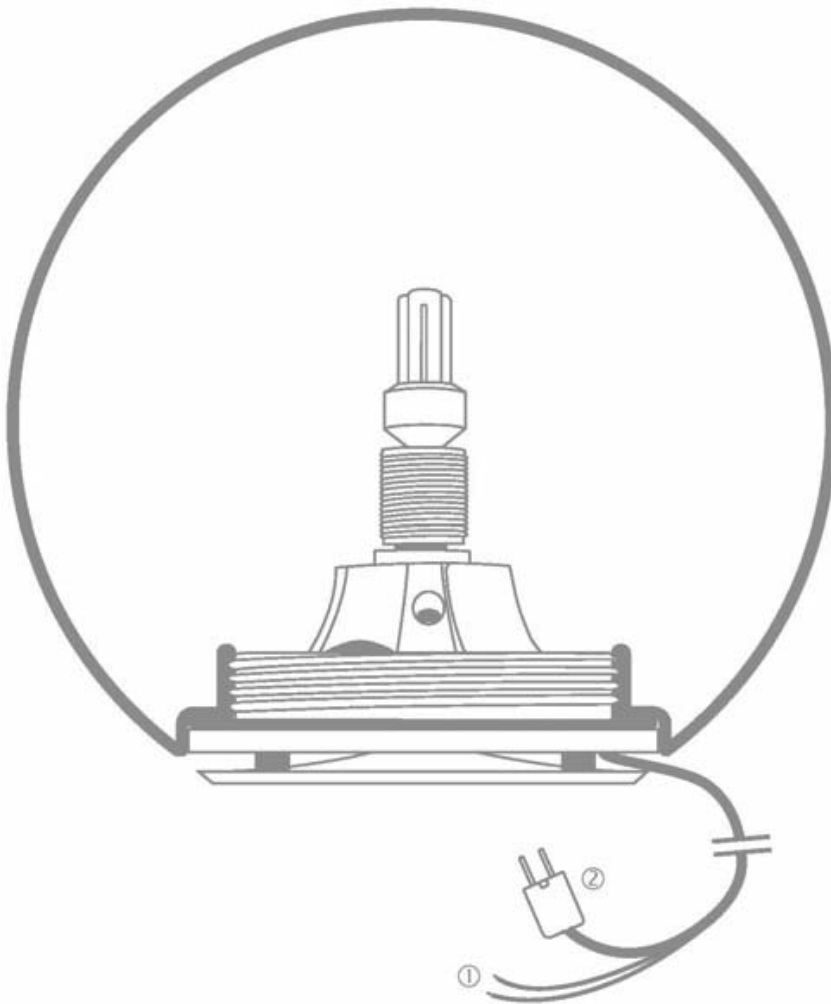
Sound System Sub-Surface



Description	Globe Diameter	Article Number	Nominal Voltage	Ingress Protection	Protection Class	Type of Socket	Type of Lamp	Wattage	Adapter	Filter
MLSMBG	350mm / 14"	350.020	120 v	IP 66	II	E27	Dulux EL	7w	A7	A7
MLSMBG	550mm / 22"	550.020	120 v	IP 66	II	E27	Dulux EL	15w	A15	A15
MLSMBG	750mm / 30"	750.020	120 v	IP 66	II	E27	Dulux EL	23w	A23	A23

Moonlight Sound System Specifications						
Description	Globe Diameter	Impedance	Maximum Power	RMS	Frequency Range	Sensitivity
MLSMBG	350mm / 14"	4 Ohms	120 Watt	60 Watt	60 - 20,000 Hz.	90 dB 1w @1m
MLSMBG	550mm / 22"	4 Ohms	150 Watt	75 Watt	50 - 20,000 Hz.	90 dB 1w @1m
MLSMBG	750mm / 30"	4 Ohms	200 Watt	100 Watt	40 - 20,000 Hz.	90 dB 1w @1m

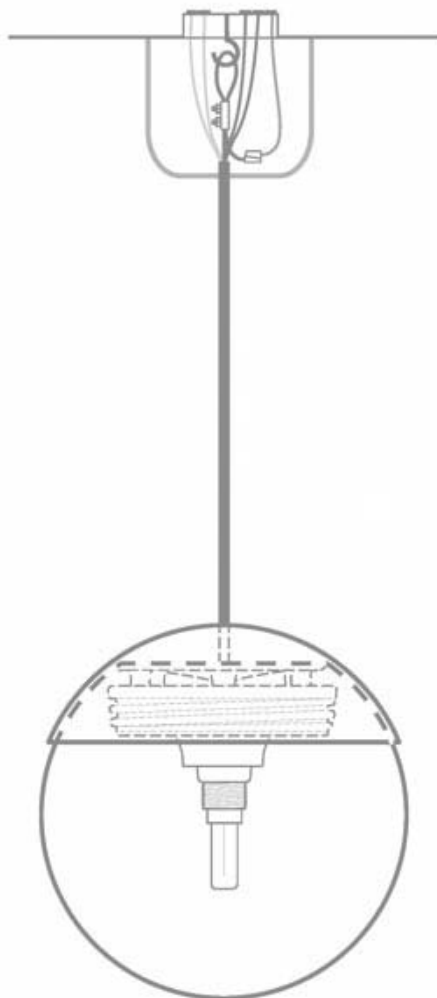
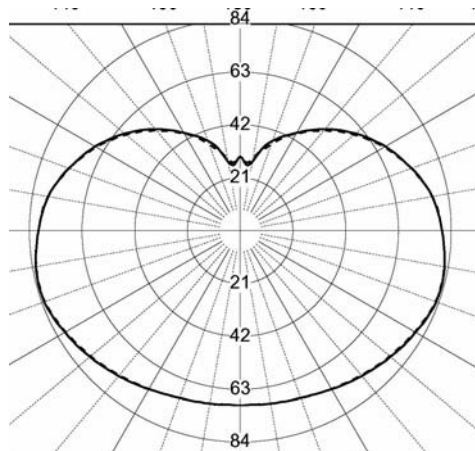
Sound System Portable



Description	Globe Diameter	Article Number	Nominal Voltage	Ingress Protection	Protection Class	Type of Socket	Type of Lamp	Wattage	Adapter	Filter
MLSMFL	350mm / 14"	350.030	120 v	IP 66	II	E27	Dulux EL	7w	A7	A7
MLSMFL	550mm / 22"	550.030	120 v	IP 66	II	E27	Dulux EL	15w	A15	A15
MLSMFL	750mm / 30"	750.030	120 v	IP 66	II	E27	Dulux EL	23w	A23	A23

Moonlight Sound System Specifications						
Description	Globe Diameter	Impedance	Maximum Power	RMS	Frequency Range	Sensitivity
MLSMFL	350mm / 14"	4 Ohms	120 Watt	60 Watt	60 - 20,000 Hz.	90 dB 1w @1m
MLSMFL	550mm / 22"	4 Ohms	150 Watt	75 Watt	50 - 20,000 Hz.	90 dB 1w @1m
MLSMFL	750mm / 30"	4 Ohms	200 Watt	100 Watt	40 - 20,000 Hz.	90 dB 1w @1m

Sound System Pendant



Description	Globe Diameter	Article Number	Nominal Voltage	Ingress Protection	Protection Class	Type of Socket	Type of Lamp	Wattage	Adapter	Filter
MLSMLH	350mm / 14"	350.110	120 v	IP 54	II	E27	Dulux EL	7w	A7	A7
MLSMLH	550mm / 22"	550.110	120 v	IP 54	II	E27	Dulux EL	15w	A15	A15
MLSMLH	750mm / 30"	750.110	120 v	IP 54	II	E27	Dulux EL	23w	A23	A23

Moonlight Sound System Specifications						
Description	Globe Diameter	Impedance	Maximum Power	RMS	Frequency Range	Sensitivity
MLSMLH	350mm / 14"	4 Ohms	120 Watt	60 Watt	60 - 20,000 Hz.	90 dB 1w @1m
MLSMLH	550mm / 22"	4 Ohms	150 Watt	75 Watt	50 - 20,000 Hz.	90 dB 1w @1m
MLSMLH	750mm / 30"	4 Ohms	200 Watt	100 Watt	40 - 20,000 Hz.	90 dB 1w @1m



CERTIFICATION RECORD

The company named below has been authorized by CSA International to represent the products listed in this record as "CSA Certified" and to affix the CSA Mark to these products according to the terms and conditions of the CSA Service Agreement and applicable CSA program requirements (including additional Markings).

File No: 222698

Class No: 3425 05 LUMINAIRES Luminaires - Miscellaneous

SUBMITTOR

4695246 Moonlight Aussenleuchten GmbH
Öflinger strasse 41
Wehr, 79664
Germany

FACTORIES

4695246 Moonlight Aussenleuchten GmbH
Öflinger strasse 41
Wehr, 79664
Germany

April 20, 2006

Floor mounted or partly ground-mounted recessed luminaires, outdoor, Models: MAG 250, 1-10W max. self-ballasted lamp or 1-25W medium base, MAG 350, 1-18W max. self-ballasted lamp or 1-40W medium base, MAG 550, 1-27W max. self-ballasted lamp or 1-100W medium base, MAG 750 1-30W max. self-ballasted lamp or 1-150W medium base; HMAG 350, 1-18W max. self-ballasted lamp or 1-40W medium base, HMAG 550, 1-26W max. self-ballasted lamp or 1-100W medium base; HMAG 750, 1-30W max. self-ballasted lamp or 1-150 W medium base; MBG 250, 1-10W max. self-ballasted lamp or 1-25W medium base, MBG 350, 1-18W max. self-ballasted lamp or 1-40W medium base, MBG 550, 1-27W max. self-ballasted lamp or 1-100W medium base, MBG 750, 1-30W max. self-ballasted lamp or 1-150W medium base; HMBG 350, 1-18W max. self-ballasted lamp or 1-40W medium base, HMBG 550, 1-26W max. self-ballasted lamp or 1-100W medium base, HMBG 750, 1-30W max. self-ballasted lamp or 1-150W medium base; 120 V, 60 Hz.

/svr



CERTIFICATION RECORD

The company named below has been authorized by CSA International to represent the products listed in this record as "CSA Certified" and to affix the CSA Mark to these products according to the terms and conditions of the CSA Service Agreement and applicable CSA program requirements (including additional Markings).

File No: 222698

Class No: 3425 85 LUMINAIRES Luminaires - Miscellaneous - Certified to US Standards

SUBMITTOR

4695246 Moonlight Aussenleuchten GmbH
Öflinger strasse 41
Wehr, 79664
Germany

FACTORIES

4695246 Moonlight Aussenleuchten GmbH
Öflinger strasse 41
Wehr, 79664
Germany

April 20, 2006

Floor mounted or partly ground-mounted recessed luminaires, outdoor, Models: MAG 250, 1-10W max. self-ballasted lamp or 1-25W medium base, MAG 350, 1-18W max. self-ballasted lamp or 1-40W medium base, MAG 550, 1-27W max. self-ballasted lamp or 1-100W medium base, MAG 750 1-30W max. self-ballasted lamp or 1-150W medium base; HMAG 350, 1-18W max. self-ballasted lamp or 1-40W medium base, HMAG 550, 1-26W max. self-ballasted lamp or 1-100W medium base; HMAG 750, 1-30W max. self-ballasted lamp or 1-150 W medium base; MBG 250, 1-10W max. self-ballasted lamp or 1-25W medium base, MBG 350, 1-18W max. self-ballasted lamp or 1-40W medium base, MBG 550, 1-27W max. self-ballasted lamp or 1-100W medium base, MBG 750, 1-30W max. self-ballasted lamp or 1-150W medium base; HMBG 350, 1-18W max. self-ballasted lamp or 1-40W medium base, HMBG 550, 1-26W max. self-ballasted lamp or 1-100W medium base, HMBG 750, 1-30W max. self-ballasted lamp or 1-150W medium base; 120 V, 60 Hz.

/svr



CERTIFICATION RECORD

The company named below has been authorized by CSA International to represent the products listed in this record as "CSA Certified" and to affix the CSA Mark to these products according to the terms and conditions of the CSA Service Agreement and applicable CSA program requirements (including additional Markings).

File No: 222698
Class No: 3451 01 PORTABLE LUMINAIRES

SUBMITTOR

4695246 Moonlight Aussenleuchten GmbH
Öflinger strasse 41
Wehr, 79664
Germany

FACTORIES

4695246 Moonlight Aussenleuchten GmbH
Öflinger strasse 41
Wehr, 79664
Germany

April 20, 2006

Portable luminaires, outdoor, Models: MFL 250, 1-10W max. self-ballasted lamp or 1-25W medium base, MFL 350, 1-18W max. self-ballasted lamp or 1-40W medium base, MFL 550, 1-27W max. self-ballasted lamp or 1-100W medium base, MFL 750, 1-30W max. self-ballasted lamp or 1-150W medium base; HMFL 350, 1-18W max. self-ballasted lamp or 1-40W medium base, HMFL 550, 1-26W max. self-ballasted lamp or 1-100W medium base, HMFL 750, 1-30W max. self-ballasted lamp or 1-150W medium base; 120 V, 60 Hz.

/svr



CERTIFICATION RECORD

The company named below has been authorized by CSA International to represent the products listed in this record as "CSA Certified" and to affix the CSA Mark to these products according to the terms and conditions of the CSA Service Agreement and applicable CSA program requirements (including additional Markings).

File No: 222698

Class No: 3451 81 PORTABLE LUMINAIRES Certified to US Standards

SUBMITTOR

4695246 Moonlight Aussenleuchten GmbH
Öflinger strasse 41
Wehr, 79664
Germany

FACTORIES

4695246 Moonlight Aussenleuchten GmbH
Öflinger strasse 41
Wehr, 79664
Germany

April 20, 2006

Portable luminaires, outdoor, Models: MFL 250, 1-10W max. self-ballasted lamp or 1-25W medium base, MFL 350, 1-18W max. self-ballasted lamp or 1-40W medium base, MFL 550, 1-27W max. self-ballasted lamp or 1-100W medium base, MFL 750, 1-30W max. self-ballasted lamp or 1-150W medium base; HMFL 350, 1-18W max. self-ballasted lamp or 1-40W medium base, HMFL 550, 1-26W max. self-ballasted lamp or 1-100W medium base, HMFL 750, 1-30W max. self-ballasted lamp or 1-150W medium base; 120 V, 60 Hz.

/svr