



**First Class Lighting**

## **Technical Information**



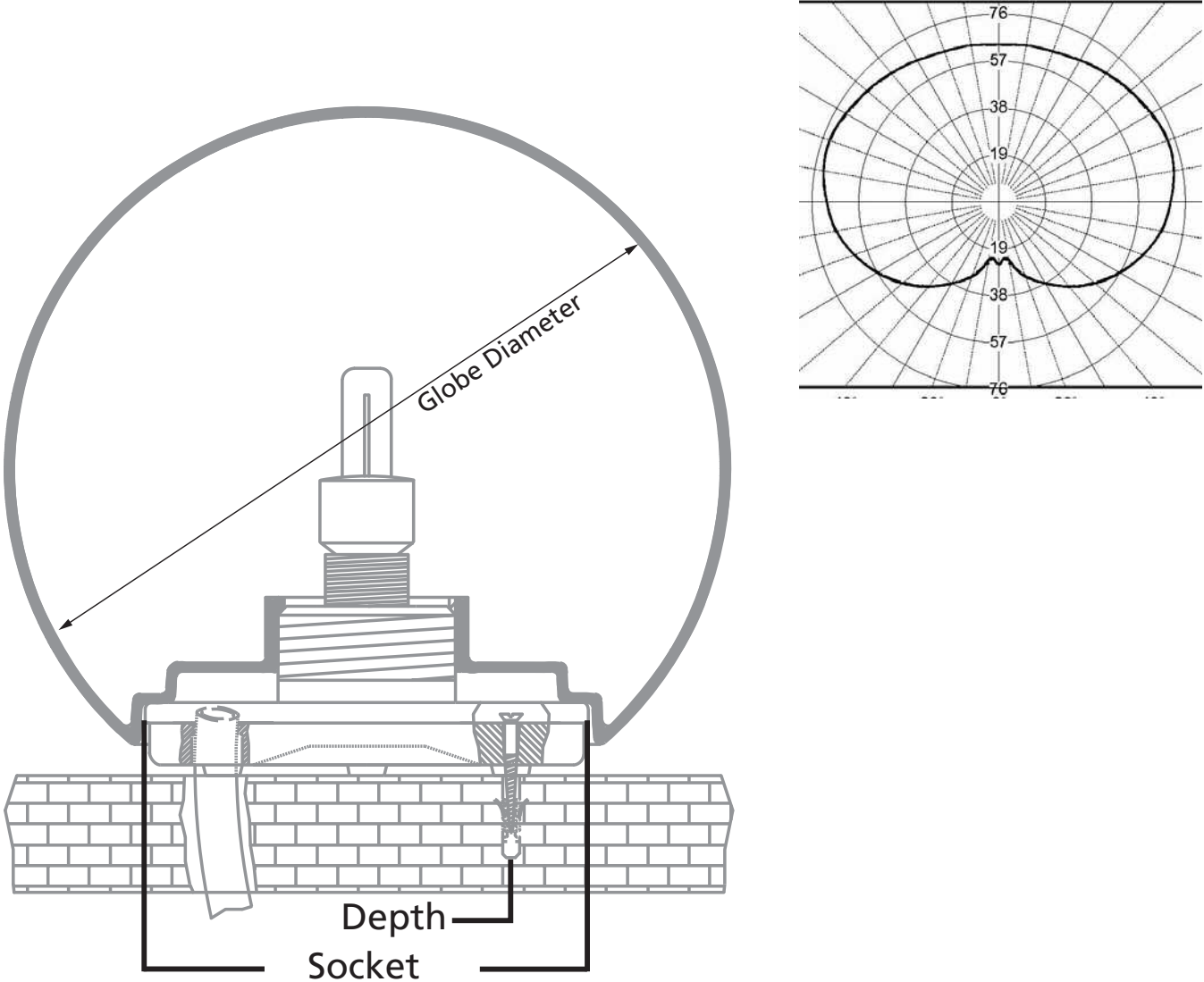


# Table of Contents

- Surface Mounted MAG ..... 5
- Sub Surface Mounted MBG ..... 6
- Flexible Full Globe MFL ..... 7
- Surface Mounted Half Globe HMAG ..... 8
- Sub Surface Mount Half Globe HBMG ..... 9
- Flexible Half Globe HMFLE ..... 10
- Moonlight Pendant MHHE ..... 11
- Floating Moonlight MWV ..... 12
- Hanging Moonlight MLP ..... 13
- Suspended Moonlight MLPF ..... 14
- Battery Full Globe BMFL ..... 15
- Battery Half Globe BHMFL ..... 16
- Floating Battery Moonlight BMWV-R ..... 17
- Surface Mounted Sound System MLSMAG ..... 18
- Sub Surface Mounted Sound System MLSMBG ..... 19
- Flexible Sound System MLS-MFL ..... 20
- Hanging Sound System MLS-MLP ..... 21
- CSA Certification ..... 22



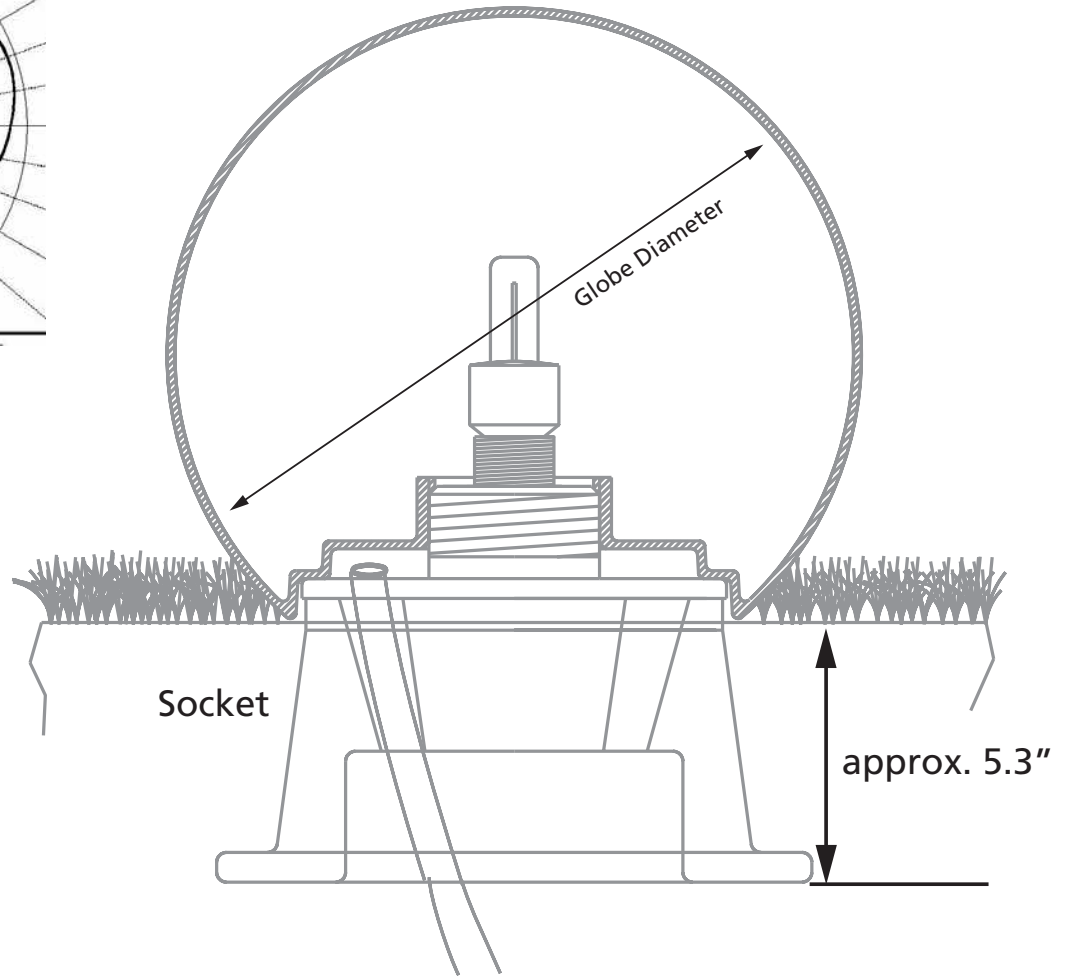
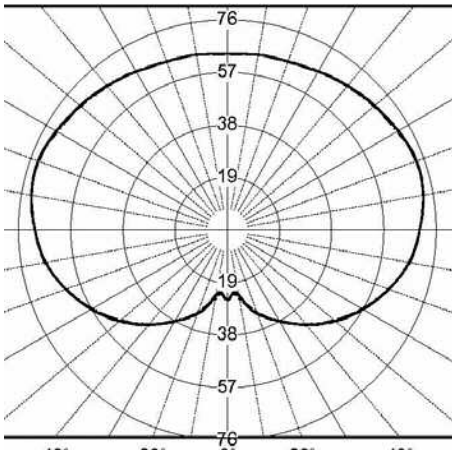
# Surface Mount



Description	Globe Diameter	Article Number	Nominal Voltage	Ingress Protection	Protection Class	Type of Socket	Type of Lamp	Wattage	Adapter	Filter
MAG	250mm / 9.85"	250.010 (ML-2020)	120 v	IP 66	II	E27	Dulux EL	4w	A5	A5
MAG	350mm / 13.75"	350.010 (ML-3020)	120 v	IP 66	II	E27	Dulux EL	7w	A7	A7
MAG	550mm / 21.65"	550.010 (ML-5020)	120 v	IP 54	II	E27	Dulux EL	15w	A15	A15
MAG	750mm / 29.50"	750.010 (ML-7020)	120 v	IP 54	II	E27	Dulux EL	23w	A23	A23

Globe Diameter	Socket Size	Hole Depth
250mm / 9.85"	149mm / 5.875"	106mm / 5.875"
350mm / 13.75"	210mm / 8.25"	161mm / 6.33"
550mm / 21.65"	318mm / 12.5"	254mm / 10"
750mm / 29.50"	438mm / 17.25"	330mm / 13"

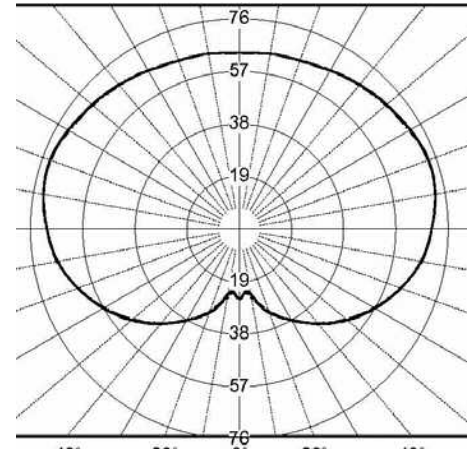
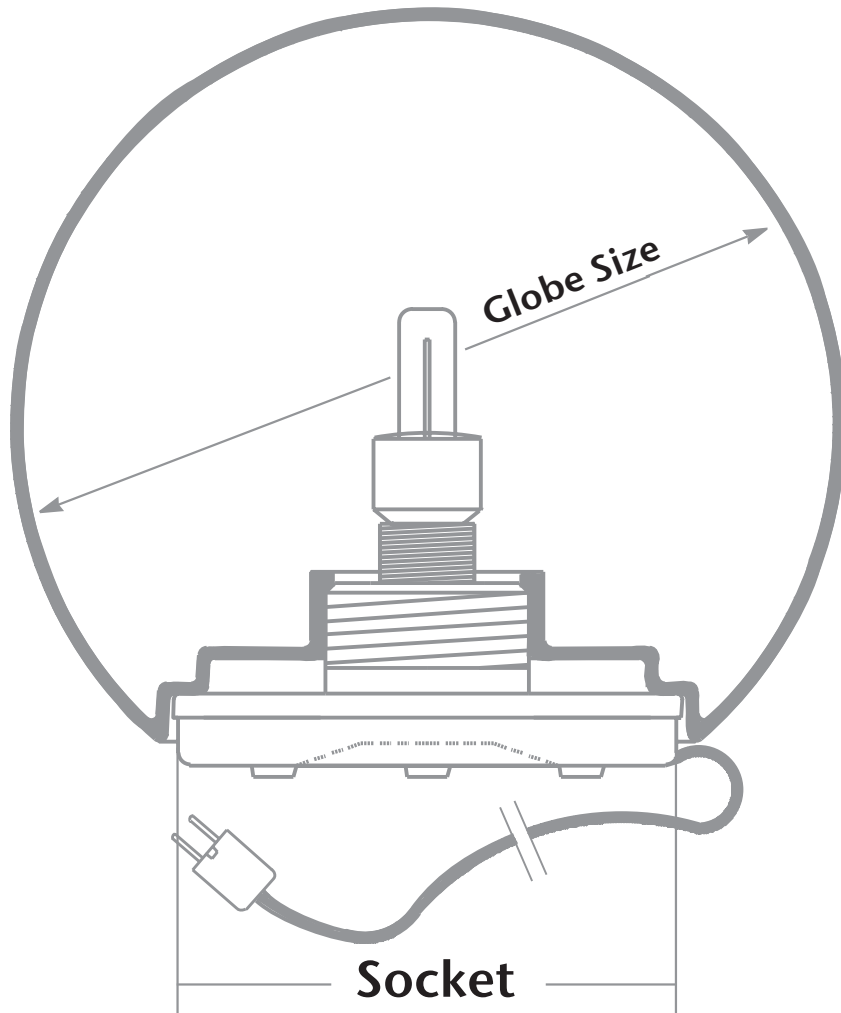
# Sub Surface Mounted



Description	Globe Diameter	Article Number	Nominal Voltage	Ingress Protection	Protection Class	Type of Socket	Type of Lamp	Wattage	Adapter	Filter
MBG	250mm / 9.85"	250.020 (ML-2040)	120 v	IP 66	II	E27	Dulux EL	4w	A5	A5
MBG	350mm / 13.75"	350.020 (ML-3040)	120 v	IP 66	II	E27	Dulux EL	7w	A7	A7
MBG	550mm / 21.65"	550.020 (ML-5040)	120 v	IP 66	II	E27	Dulux EL	15w	A15	A15
MBG	750mm / 29.50"	750.020 (ML-7040)	120 v	IP 66	II	E27	Dulux EL	23w	A23	A23

Globe Diameter	Socket Size
250mm / 9.85"	215mm / 5.88"
350mm / 13.75"	210mm / 8.26"
550mm / 21.65"	318mm / 12.5"
750mm / 29.50"	438mm / 17.24"

# Flexible Light

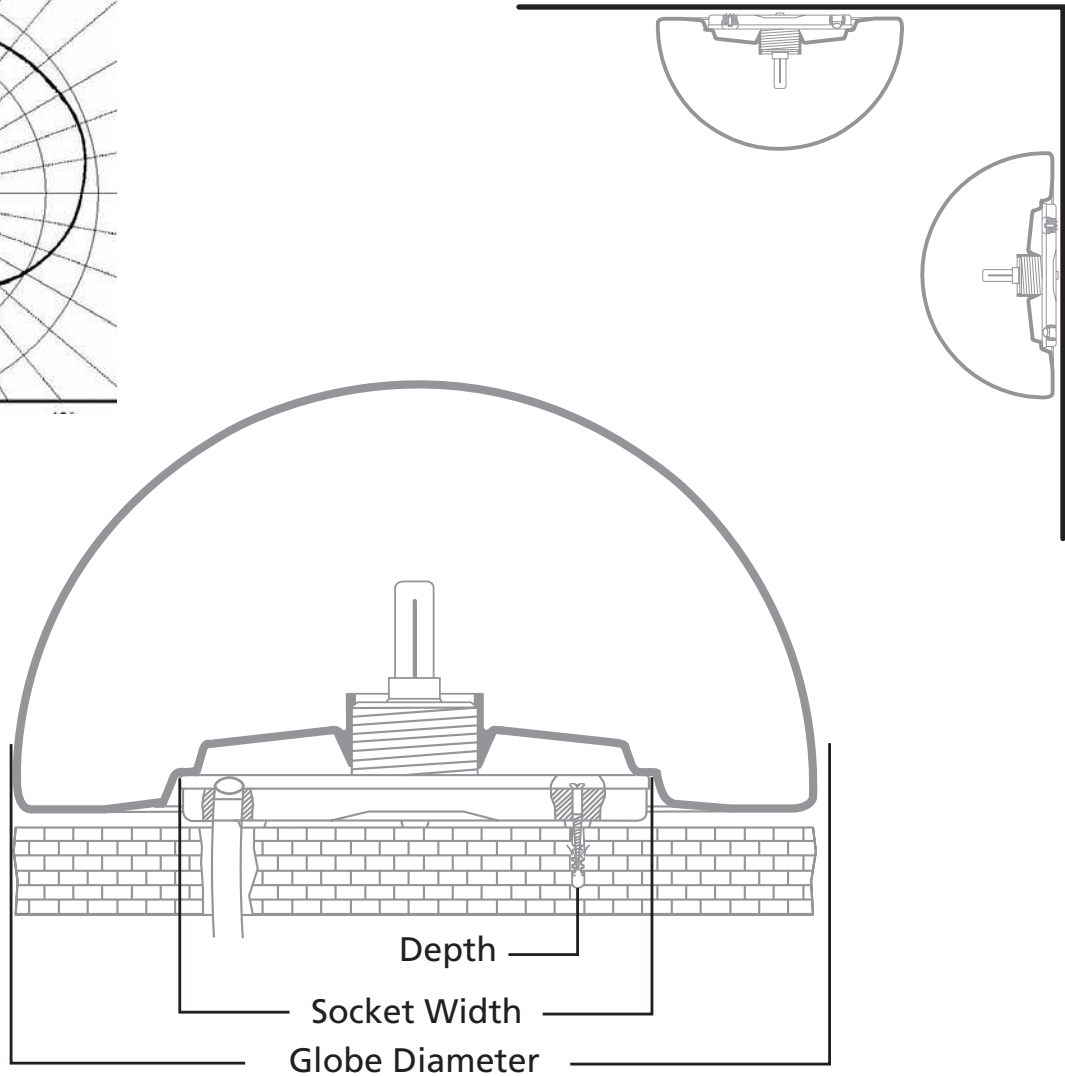
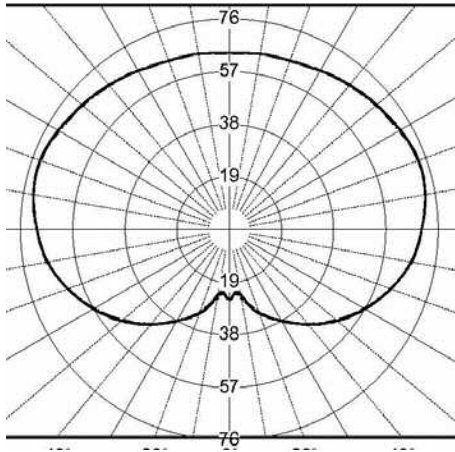


Description	Globe Diameter	Article Number	Nominal Voltage	Ingress Protection	Protection Class	Type of Socket	Type of Lamp	Wattage	Adapter	Filter
MFL	250mm / 9.85"	250.030 <sup>1</sup> (ML-2000)	120 v	IP 66	II	E27	Dulux EL	4w	A5	A5
MFL	350mm / 13.75"	350.030 <sup>1</sup> (ML-3000)	120 v	IP 66	II	E27	Dulux EL	7w	A7	A7
MFL	550mm / 21.65"	550.030 <sup>1</sup> (ML-5000)	120 v	IP 66	II	E27	Dulux EL	15w	A15	A15
MFL	750mm / 29.50"	750.030 <sup>1</sup> (ML-7000)	120 v	IP 66	II	E27	Dulux EL	23w	A23	A23

Globe Diameter	Socket Size
250mm / 9.85"	149mm / 5.88"
350mm / 13.75"	210mm / 11.81"
550mm / 21.65"	318mm / 12.5"
750mm / 29.50"	438mm / 17.24"

<sup>1</sup> Includes 16.4 (5 meter) Cable

# Surface Mount Half Globe

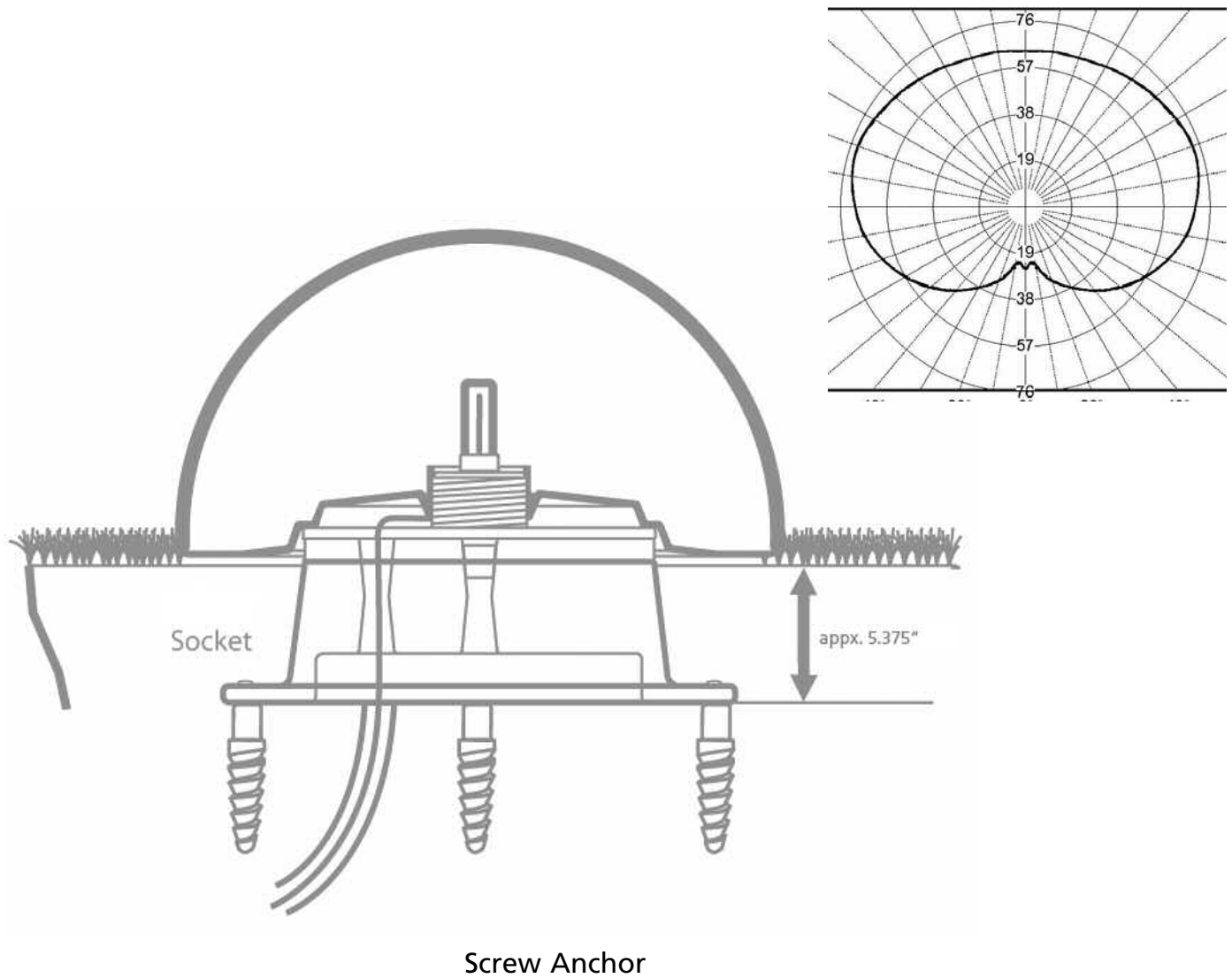


Description	Globe Diameter	Article Number	Nominal Voltage	Ingress Protection	Protection Class	Type of Socket	Type of Lamp	Wattage	Adapter	Filter
HMAGE	350mm / 13.75"	350.040 (ML-4020)	120 v	IP 66	II	G24q1	Dulux D/E	10w	WA7	A7
HMAGE	550mm / 21.65"	550.040 (ML-6020)	120 v	IP 66	II	G24q1	Dulux T/E	13w	WA7	A7
HMAE	750mm / 29.50"	750.040 (ML-8020)	120 v	IP 66	II	E27	Dulux EL	23w	A23	A23

Globe Diameter	Socket Size	Hole Depth
350mm / 13.75"	250mm / 9.84"	196mm / 7.71"
550mm / 21.65"	317mm / 12.5"	258mm / 10"
750mm / 29.50"	438mm / 17.25"	330mm / 13"



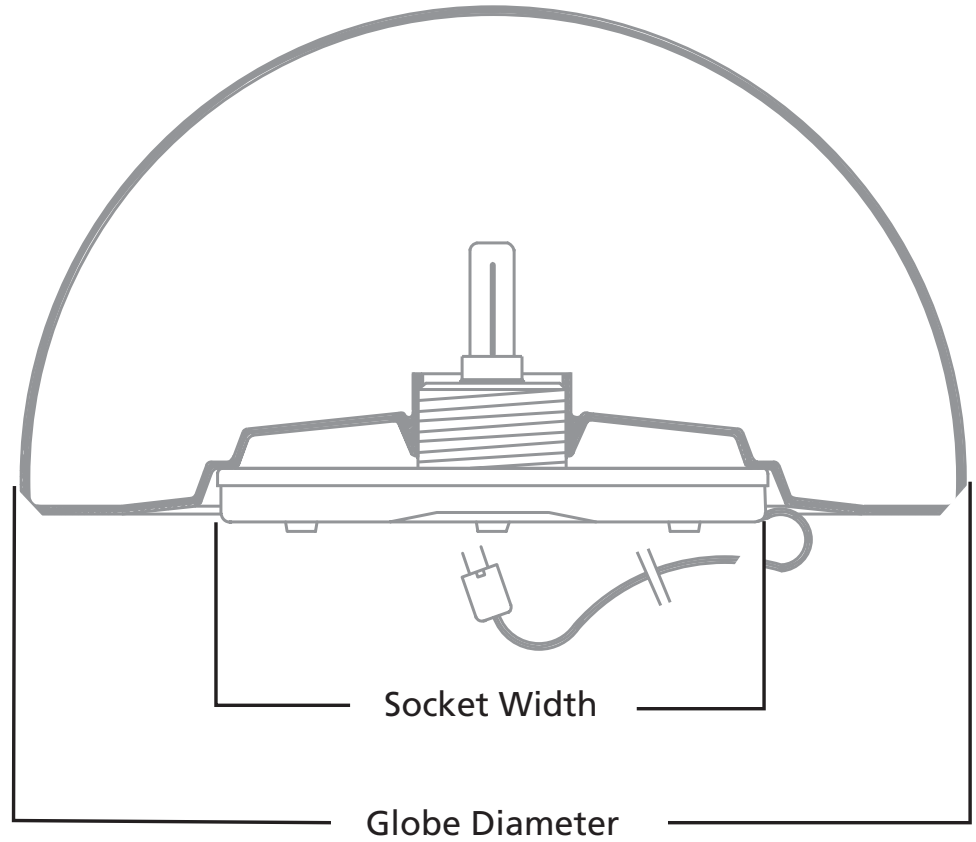
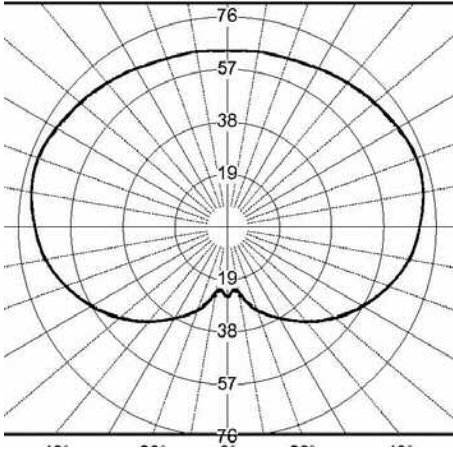
# Sub-Surface Mounted Half Globe



Description	Globe Diameter	Article Number	Nominal Voltage	Ingress Protection	Protection Class	Type of Socket	Type of Lamp	Wattage	Adapter	Filter
HMBGE	350mm / 13.75"	350.050 (ML-4040)	120 v	IP 66	II	G24q1	Dulux D/E	10w	WA7	A7
HMBGE	550mm / 21.65"	550.050 (ML-6040)	120 v	IP 66	II	G24q1	Dulux T/E	13w	WA7	A7
HMBG	750mm / 29.50"	750.050 (ML-8040)	120 v	IP 66	II	E27	Dulux EL	23w	A23	A23

Globe Diameter	Socket Size	Hole Depth
350mm / 13.75"	340mm / 13.38"	196mm / 9.84"
550mm / 21.65"	460mm / 18.11"	258mm / 12.48"
750mm / 29.50"	636mm / 25"	438mm / 17.24"

# Flexible Half Globe

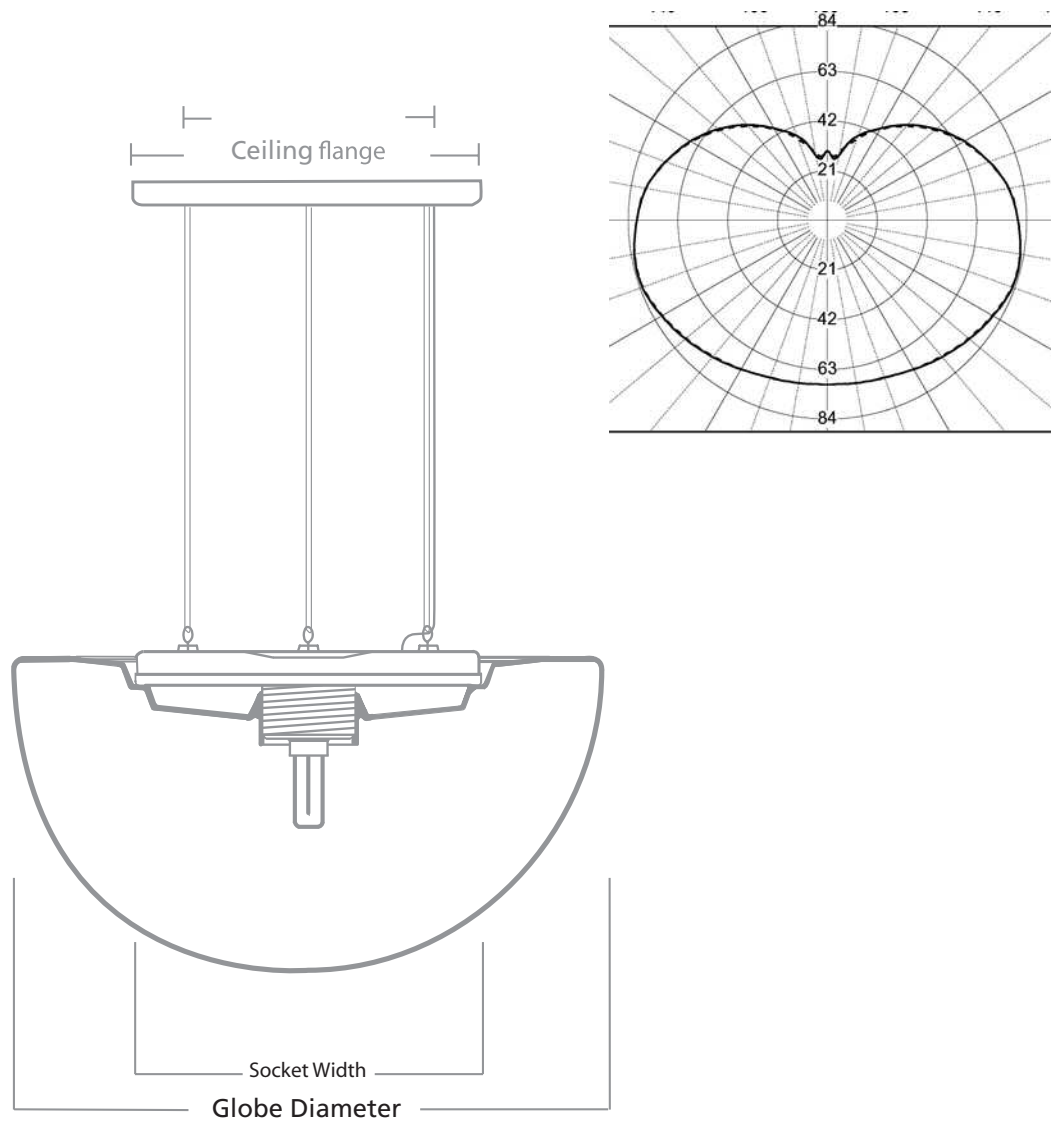


Description	Globe Diameter	Article Number	Nominal Voltage	Ingress Protection	Protection Class	Type of Socket	Type of Lamp	Wattage	Adapter	Filter
HMFLE	350mm / 13.75"	350.060 <sup>1</sup> (ML-4000)	120 v	IP 66	II	G24q1	Dulux D/E	10w	WA7	A7
HMFLE	550mm / 21.65"	550.060 <sup>1</sup> (ML-6000)	120 v	IP 66	II	G24q1	Dulux T/E	13w	WA7	A7
HMFL	750mm / 29.50"	750.060 <sup>1</sup> (ML-8000)	120 v	IP 66	II	E27	Dulux EL	23w	A23	A23

Globe Diameter	Socket Size
350mm / 13.75"	250mm / 9.84"
550mm / 21.65"	317mm / 12.5"
750mm / 29.50"	438mm / 17.24"

<sup>1</sup> Includes 16.4 (5 meter) Cable

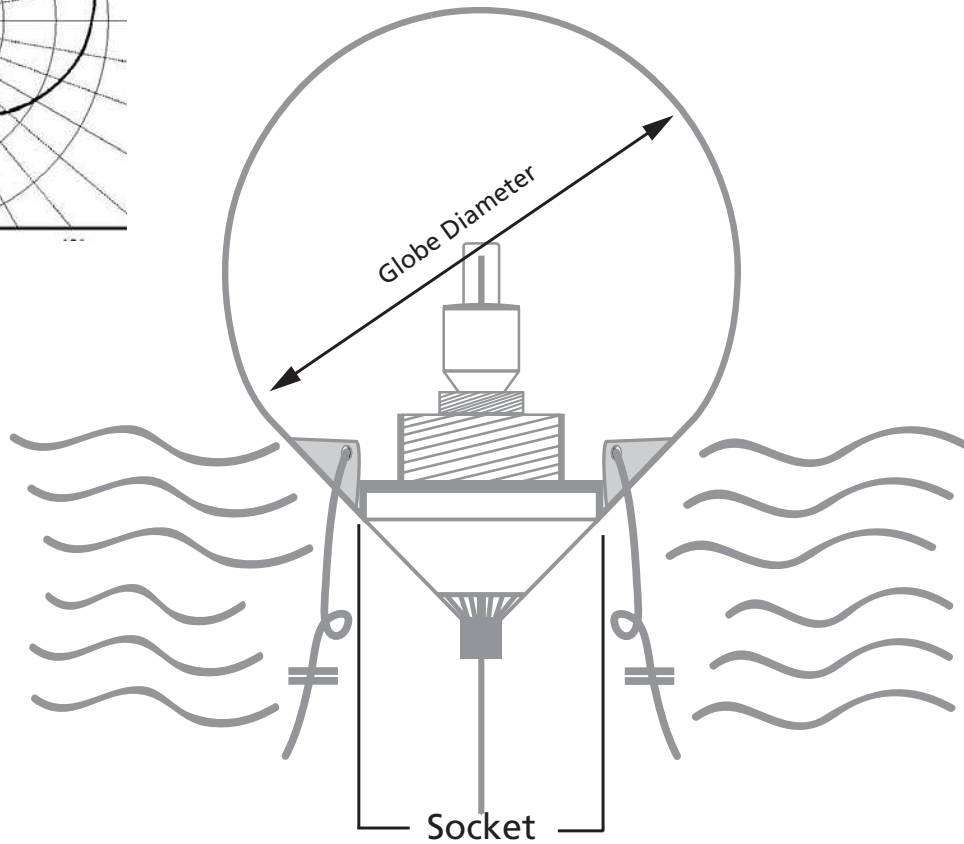
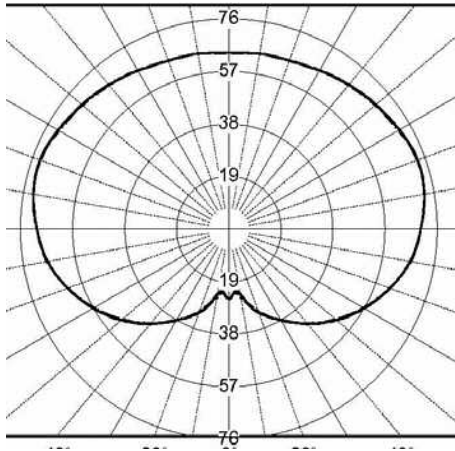
# Moonlight Pendant



Description	Globe Diameter	Article Number	Nominal Voltage	Ingress Protection	Protection Class	Type of Socket	Type of Lamp	Wattage	Adapter	Filter
MHHE	350mm / 13.75"	350.100 <sup>2</sup> (ML-4060)	120 v	IP 54	II	G24q1	Dulux D/E	10w	WA7	A5
MHHE	550mm / 21.65"	550.100 <sup>2</sup> (ML-6060)	120 v	IP 54	II	G24q1	Dulux T/E	13w	WA7	A7
MHH	750mm / 29.50"	750.010 (ML-8060)	120 v	IP 54	II	E27	Dulux EL	23w	A23	A23

Light Extensions available

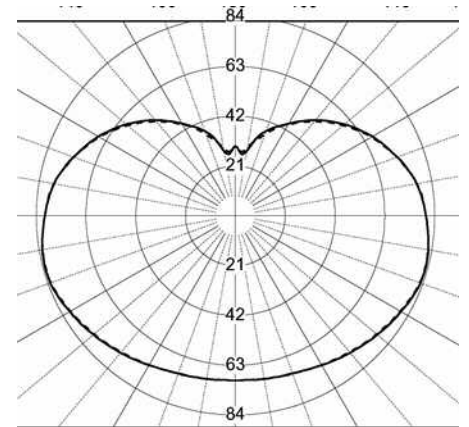
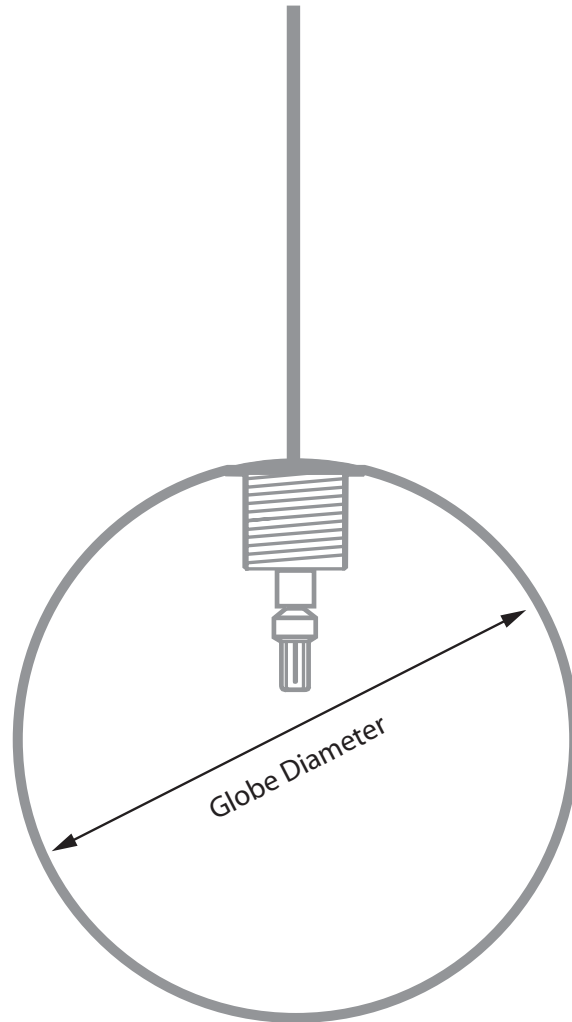
# Floating Moonlight



Description	Globe Diameter	Article Number	Nominal Voltage	Ingress Protection	Protection Class	Type of Socket	Type of Lamp	Wattage	Adapter	Filter
MWV	250mm / 9.85"	250.070 (ML-2100)	12 v DC	IP X7	II	E27	DC-ESL	4w	A5	A5
MWV	350mm / 13.75"	350.070 (ML-3100)	12 v DC	IP X7	II	E27	DC-ESL	7w	A7	A7
MWV	550mm / 21.65"	550.070 (ML-5100)	12 v DC	IP X7	II	E27	DC-ESL	15w	A15	A15
MWV	750mm / 29.50"	750.070 (ML-7100)	12 v DC	IP X7	II	E27	DC-ESL	23w	A23	A23

Globe Diameter	Socket Size
250mm / 9.85"	110mm / 4.33"
350mm / 13.75"	110mm / 4.33"
550mm / 21.65"	210mm / 8.26"
750mm / 29.50"	210mm / 8.26"

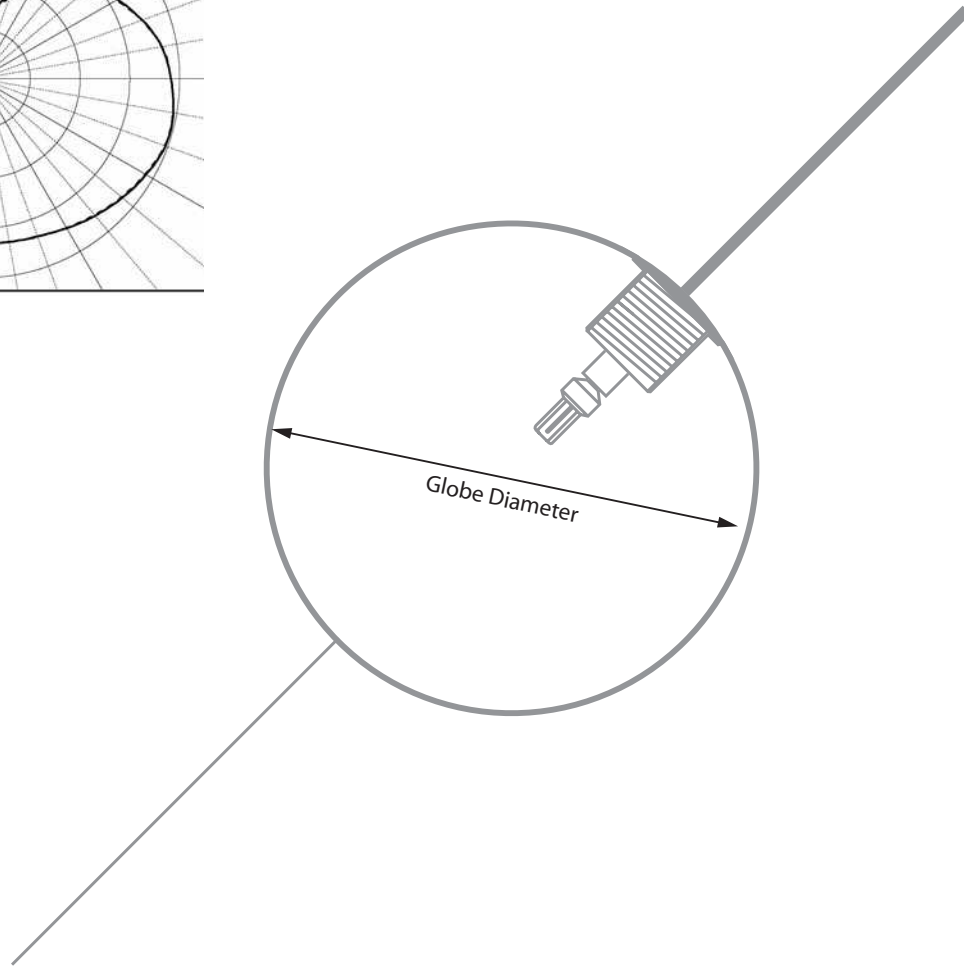
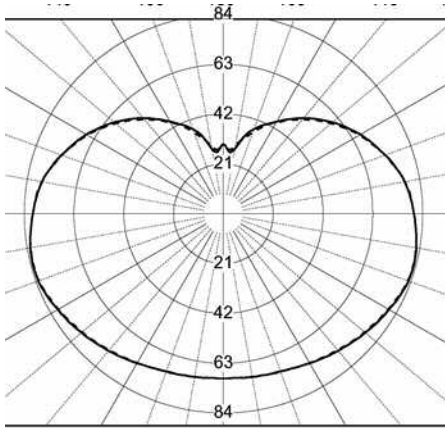
# Hanging Moonlight



Description	Globe Diameter	Article Number	Nominal Voltage	Ingress Protection	Protection Class	Type of Socket	Type of Lamp	Wattage	Adapter	Filter
MLP	350mm / 13.75"	350.110 <sup>1</sup> (ML-3060)	120 v	IP 54	II	E27	Dulux EL	7w	A7	A7
MLP	550mm / 21.65"	550.110 <sup>1</sup> (ML-5060)	120 v	IP 54	II	E27	Dulux EL	15w	A15	A15
MLP	750mm / 29.50"	750.110 <sup>1</sup> (ML-7060)	120 v	IP 54	II	E27	Dulux EL	23w	A23	A23

<sup>1</sup>Includes standard supply of 9.84' cable other lengths available

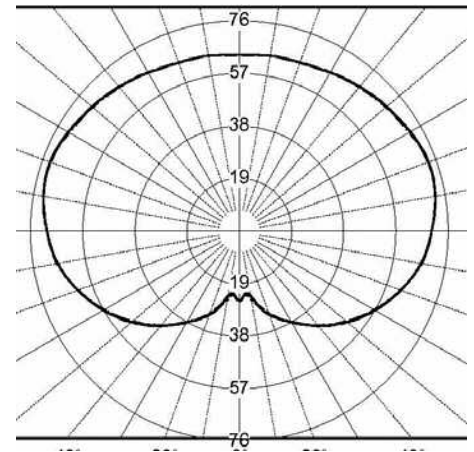
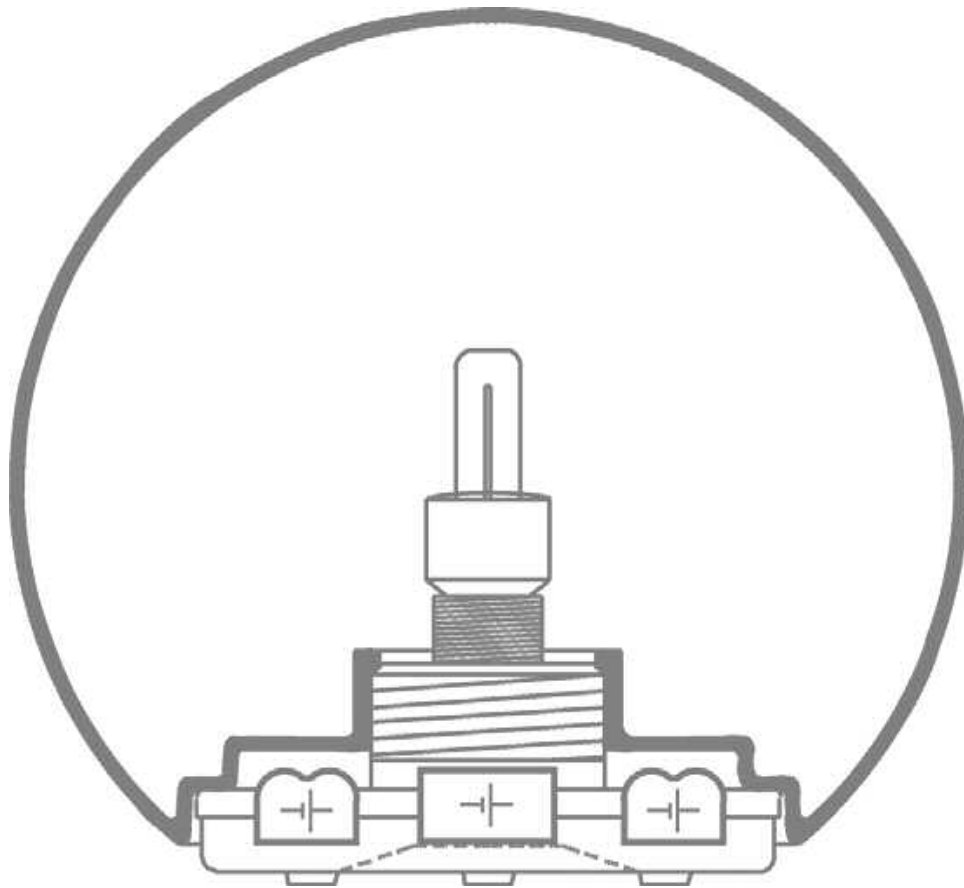
# Suspended Moonlight



Description	Globe Diameter	Article Number	Nominal Voltage	Ingress Protection	Protection Class	Type of Socket	Type of Lamp	Wattage	Adapter	Filter
MLPF	350mm / 13.75"	350.120 <sup>3</sup> (ML-3080)	120 v	IP 54	II	E27	Dulux EL	7w	A7	A7
MLPF	550mm / 21.65"	550.120 <sup>3</sup> (ML-5080)	120 v	IP 54	II	E27	Dulux EL	15w	A15	A15
MLPF	750mm / 29.50"	750.120 <sup>3</sup> (ML-7080)	120 v	IP 54	II	E27	Dulux EL	23w	A23	A23

Includes standard supply of 9.84' cable and standard 16.4' stainless steel cable

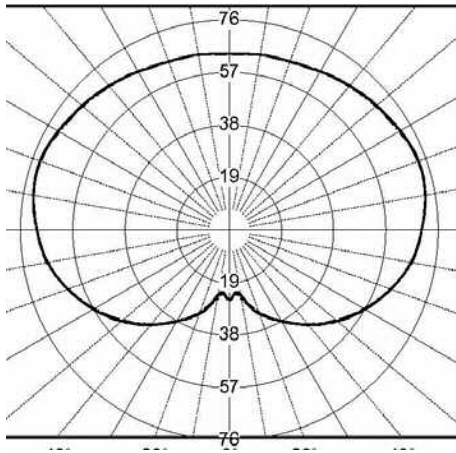
# Battery Full Globe



Description	Globe Diameter	Item	Ingress Protection	Protection Class	Type of Lamp	Wattage	Adapter	Filter	Battery Type	Capacity	Charge	Charging Time
BMFL	250mm / 9.85"	250.130 (ML-2160)	IP 54	II	DC-ESL	4w	A5	A5	NimH	2700mAh	7-8 hrs	4-5 hrs
BMFL	350mm / 13.75"	350.130 (ML-3160)	IP 54	II	DC-ESL	7w	A7	A7	NimH	4500mAh	7-9 hrs	7-8 hrs
BMFL	550mm / 21.65"	550.130 (ML-5160)	IP 54	II	DC-ESL	15w	A15	A15	NimH	8000mAh	7-10 hrs	9-10 hrs
BMFL	750mm / 29.50"	750.130 (ML-7160)	IP 54	II	DC-ESL	23w	A23	A23	NimH	10000mAh	7-10 hrs	10-13 hrs

**Nominal Voltage for all Battery Moonlights is 12V DC All Socket Types Are E27  
with LED option - charge can be as long as 80 hours  
Light Extensions available**

# Battery Half-Globe



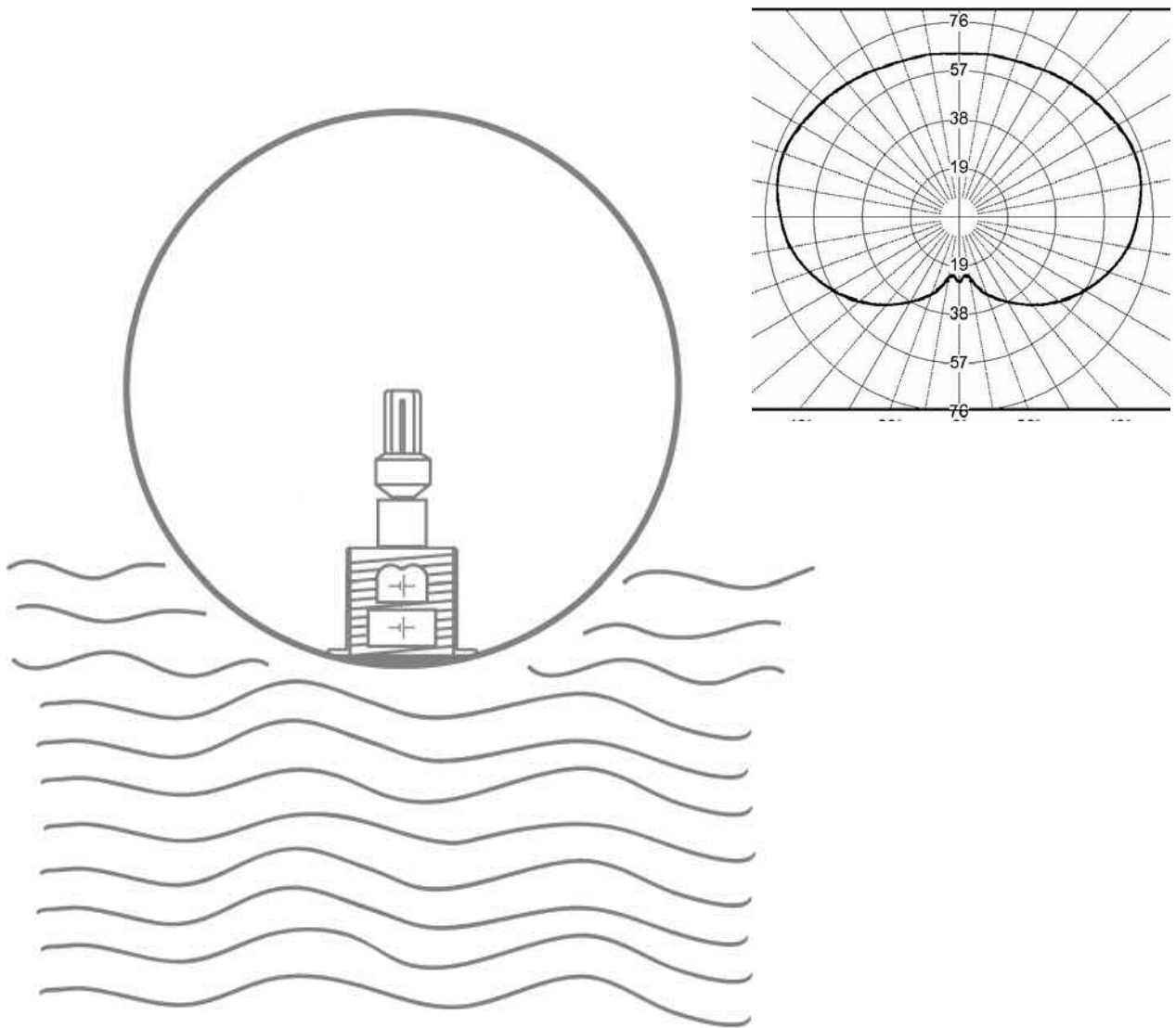
Description	Globe Diameter	Item	Ingress Protection	Protection Class	Type of Lamp	Wattage	Adapter	Filter	Battery Type	Capacity	Charge	Charging Time
BHMFL	350mm / 13.75"	350.150 (ML-4160)	IP 54	II	DC-ESL	7w	A5	A7	NimH	4500mAh	7-9 hrs	7-8 hrs
BHMFL	550mm / 21.65"	550.150 (ML-6160)	IP 54	II	DC-ESL	15w	A7	A15	NimH	800mAh	7-10 hrs	9-10 hrs
BHMFL	750mm / 29.50"	750.150 (ML-8160)	IP 54	II	DC-ESL	23w	A15	A23	NimH	10000mAh	7-10 hrs	10-13 hrs

Globe Diameter	Socket Type
350mm / 13.75"	2G7
550mm / 21.65"	G24q1
750mm / 29.50"	E27

Nominal Voltage for all Battery Moonlights is 12V DC  
with LED option - charge can be as long as 80 hours  
Light Extensions available



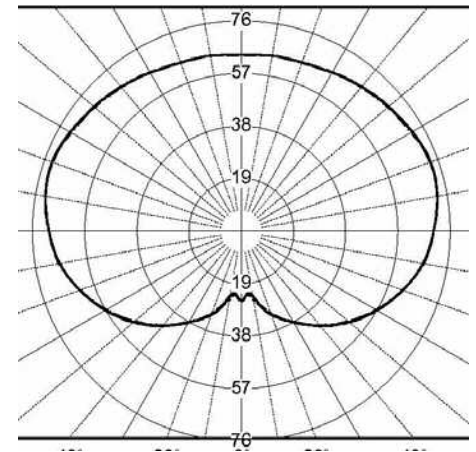
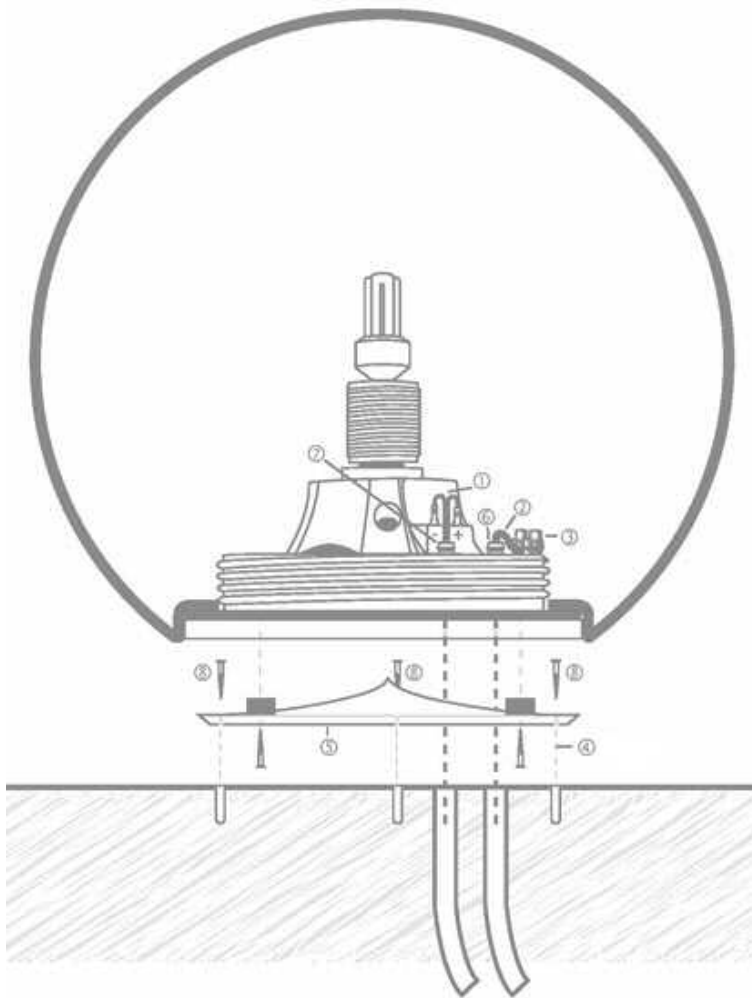
# Floating Battery



Description	Globe Diameter	Item	Ingress Protection	Protection Class	Type of Lamp	Wattage	Adapter	Filter	Battery Type	Capacity	Charge	Charging Time
BMWV-R	350mm / 13.75"	350.140 (ML-3140)	IP X7	II	DC-ESL	7w	A7	A7	Li-ionen	4300mAh	7-9 hrs	7-8 hrs
BMWV-R	550mm / 21.65"	550.140 (ML-5140)	IP X7	II	DC-ESL	15w	A15	A15	NimH	8000mAh	8-10 hrs	9-10 hrs
BMWV-R	750mm / 29.50"	750.140 (ML-7140)	IP X7	II	DC-ESL	23w	A23	A23	NimH	10000mAh	8-10 hrs	10-13 hrs

Nominal Voltage for all Battery Moonlights is 12V DC All Socket Types Are E27  
 A special key is needed to open floating Moonlights  
 Example - with LED option on 350mm up to 80 hours of charge time is possible

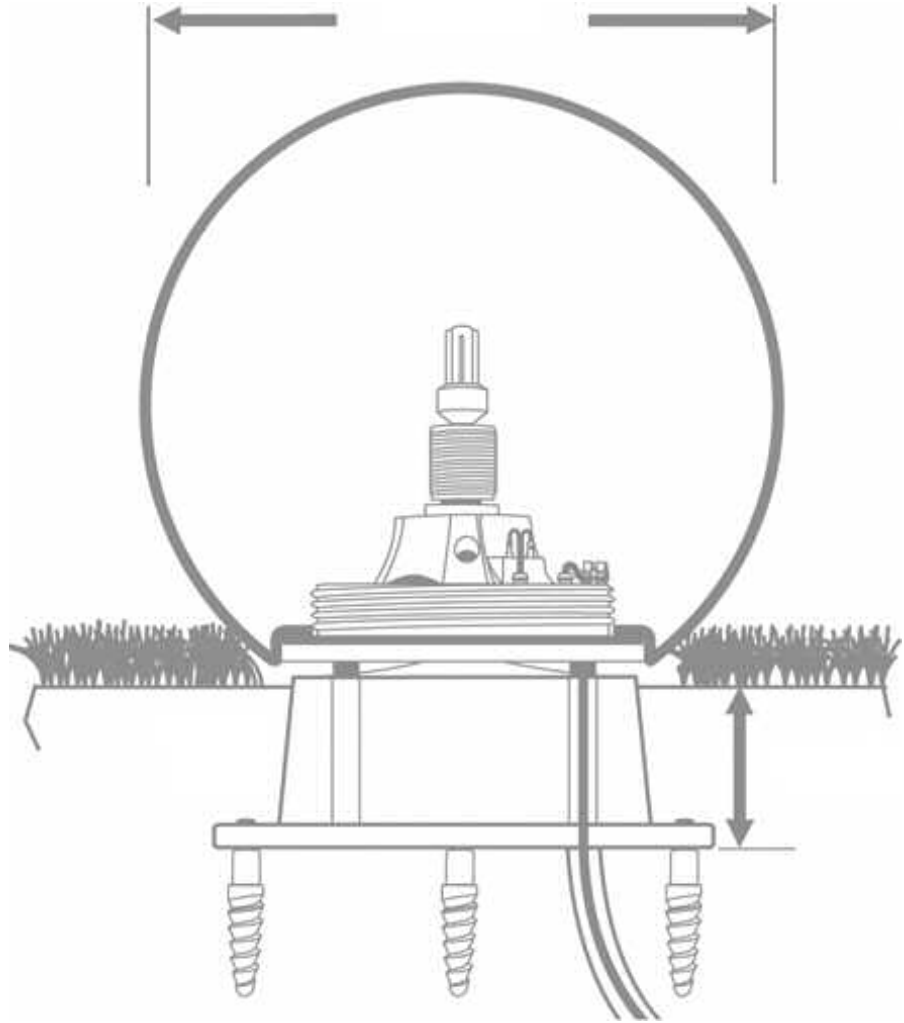
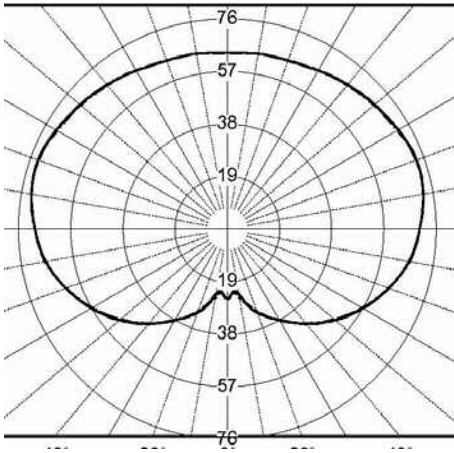
# Surface Mounted Sound System



Description	Globe Diameter	Article Number	Nominal Voltage	Ingress Protection	Protection Class	Type of Socket	Type of Lamp	Wattage	Adapter	Filter
MLS-MAG	350mm / 13.75"	MLS 350.010 (ML-3220)	120 v	IP 66	II	E27	Dulux EL	7w	A7	A7
MLS-MAG	550mm / 21.65"	MLS 550.010 (ML-5220)	120 v	IP 66	II	E27	Dulux EL	15w	A15	A15
MLS-MAG	750mm / 29.50"	MLS 750.010 (ML-7220)	120 v	IP 66	II	E27	Dulux EL	23w	A23	A23

Moonlight Sound System Specifications						
Description	Globe Diameter	Impedance	Maximum Power	RMS	Frequency Range	Sensitivity
MLS-MAG	350mm / 13.75"	4 Ohms	120 Watt	60 Watt	60 - 20,000 Hz.	90 dB 1w @1m
MLS-MAG	550mm / 21.65"	4 Ohms	150 Watt	75 Watt	50 - 20,000 Hz.	90 dB 1w @1m
MLS-MAG	750mm / 29.50"	4 Ohms	200 Watt	100 Watt	40 - 20,000 Hz.	90 dB 1w @1m

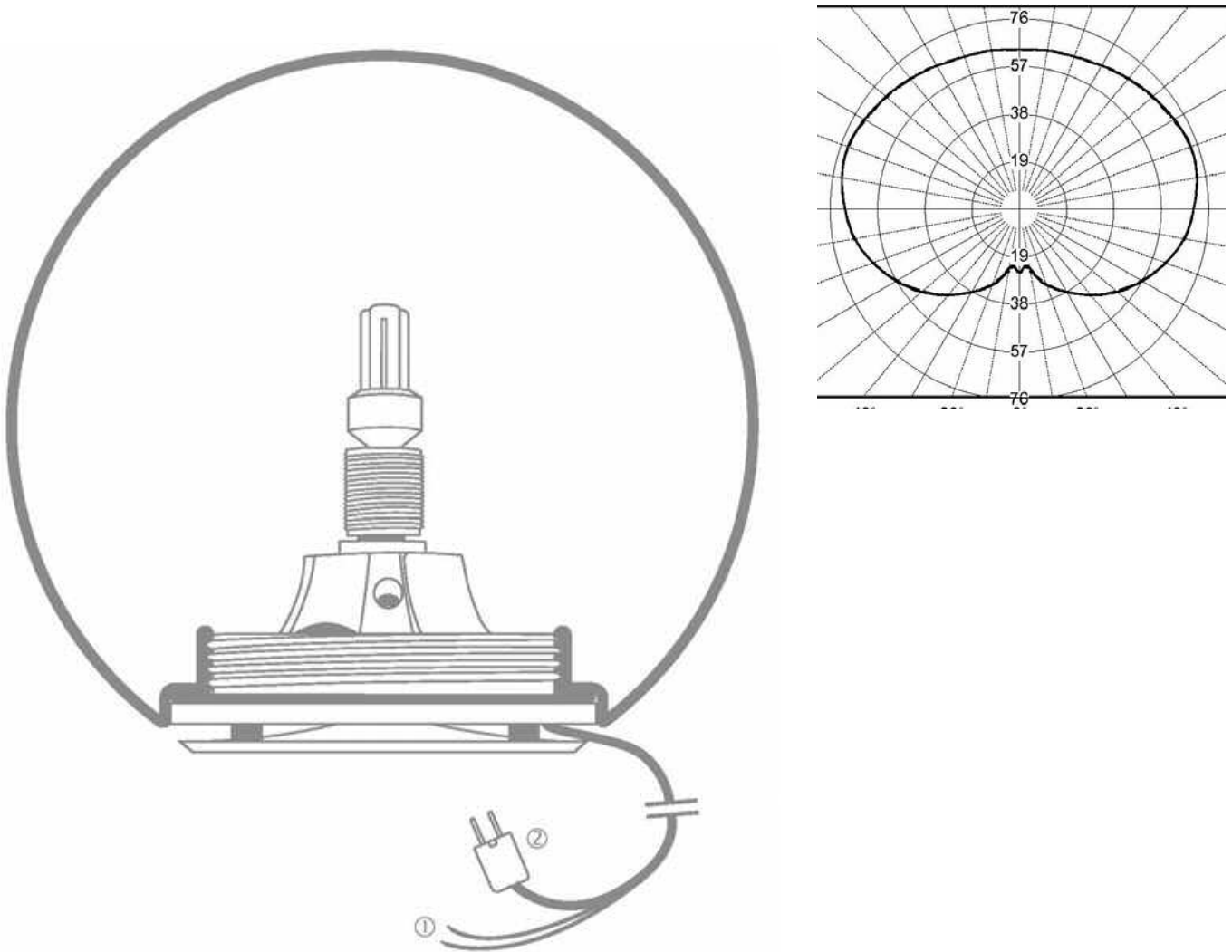
# Sub Surface Mount Sound System



Description	Globe Diameter	Article Number	Nominal Voltage	Ingress Protection	Protection Class	Type of Socket	Type of Lamp	Wattage	Adapter	Filter
MLS-MBG	350mm / 13.75"	MLS 350.020 (ML-3240)	120 v	IP 66	II	E27	Dulux EL	7w	A7	A7
MLS-MBG	550mm / 21.65"	MLS 550.020 (ML-5240)	120 v	IP 66	II	E27	Dulux EL	15w	A15	A15
MLS-MBG	750mm / 29.50"	MLS 750.020 (ML-7240)	120 v	IP 66	II	E27	Dulux EL	23w	A23	A23

Moonlight Sound System Specifications						
Description	Globe Diameter	Impedance	Maximum Power	RMS	Frequency Range	Sensitivity
MLS-MBG	350mm / 13.75"	4 Ohms	120 Watt	60 Watt	60 - 20,000 Hz.	90 dB 1w @1m
MLS-MBG	550mm / 21.65"	4 Ohms	150 Watt	75 Watt	50 - 20,000 Hz.	90 dB 1w @1m
MLS-MBG	750mm / 29.50"	4 Ohms	200 Watt	100 Watt	40 - 20,000 Hz.	90 dB 1w @1m

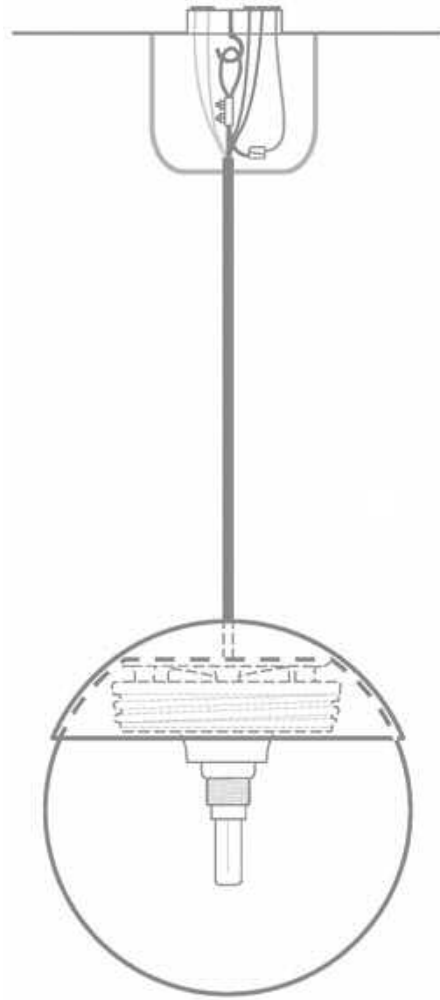
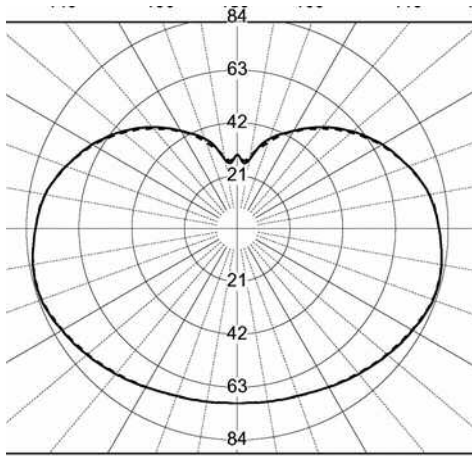
# Flexible Sound System



Description	Globe Diameter	Article Number	Nominal Voltage	Ingress Protection	Protection Class	Type of Socket	Type of Lamp	Wattage	Adapter	Filter
MLS-MFL	350mm / 13.75"	MLS 350.030 (ML-3200)	120 v	IP 66	II	E27	Dulux EL	7w	A7	A7
MLS-MFL	550mm / 21.65"	MLS 550.030 (ML-5200)	120 v	IP 66	II	E27	Dulux EL	15w	A15	A15
MLS-MFL	750mm / 29.50"	MLS 750.030 (ML-7200)	120 v	IP 66	II	E27	Dulux EL	23w	A23	A23

Moonlight Sound System Specifications						
Description	Globe Diameter	Impedance	Maximum Power	RMS	Frequency Range	Sensitivity
MLS-MFL	350mm / 13.75"	4 Ohms	120 Watt	60 Watt	60 - 20,000 Hz.	90 dB 1w @1m
MLS-MFL	550mm / 21.65"	4 Ohms	150 Watt	75 Watt	50 - 20,000 Hz.	90 dB 1w @1m
MLS-MFL	750mm / 29.50"	4 Ohms	200 Watt	100 Watt	40 - 20,000 Hz.	90 dB 1w @1m

# Hanging Sound System



Description	Globe Diameter	Article Number	Nominal Voltage	Ingress Protection	Protection Class	Type of Socket	Type of Lamp	Wattage	Adapter	Filter
MLS-MLP	350mm / 13.75"	MLS 350.110 (ML-3260)	120 v	IP 54	II	E27	Dulux EL	7w	A7	A7
MLS-MLP	550mm / 21.65"	MLS 550.110 (ML-5260)	120 v	IP 54	II	E27	Dulux EL	15w	A15	A15
MLS-MLP	750mm / 29.50"	MLS 750.110 (ML-7260)	120 v	IP 54	II	E27	Dulux EL	23w	A23	A23

## Moonlight Sound System Specifications

Description	Globe Diameter	Impedance	Maximum Power	RMS	Frequency Range	Sensitivity
MLS-MLP	350mm / 13.75"	4 Ohms	120 Watt	60 Watt	60 - 20,000 Hz.	90 dB 1w @1m
MLS-MLP	550mm / 21.65"	4 Ohms	150 Watt	75 Watt	50 - 20,000 Hz.	90 dB 1w @1m
MLS-MLP	750mm / 29.50"	4 Ohms	200 Watt	100 Watt	40 - 20,000 Hz.	90 dB 1w @1m





## CERTIFICATION RECORD

The company named below has been authorized by CSA International to represent the products listed in this record as "CSA Certified" and to affix the CSA Mark to these products according to the terms and conditions of the CSA Service Agreement and applicable CSA program requirements (including additional Markings).

File No: 222698  
Class No: 3425 05 LUMINAIRES Luminaires - Miscellaneous

### SUBMITTOR

4695246 Moonlight Aussenleuchten GmbH  
Öflinger strasse 41  
Wehr, 79664  
Germany

### FACTORIES

4695246 Moonlight Aussenleuchten GmbH  
Öflinger strasse 41  
Wehr, 79664  
Germany

April 20, 2006

Floor mounted or partly ground-mounted recessed luminaires, outdoor, Models: MAG 250, 1-10W max. self-ballasted lamp or 1-25W medium base, MAG 350, 1-18W max. self-ballasted lamp or 1-40W medium base, MAG 550, 1-27W max. self-ballasted lamp or 1-100W medium base, MAG 750 1-30W max. self-ballasted lamp or 1-150W medium base; HMAG 350, 1-18W max. self-ballasted lamp or 1-40W medium base, HMAG 550, 1-26W max. self-ballasted lamp or 1-100W medium base; HMAG 750, 1-30W max. self-ballasted lamp or 1-150 W medium base; MBG 250, 1-10W max. self-ballasted lamp or 1-25W medium base, MBG 350, 1-18W max. self-ballasted lamp or 1-40W medium base, MBG 550, 1-27W max. self-ballasted lamp or 1-100W medium base, MBG 750, 1-30W max. self-ballasted lamp or 1-150W medium base; HMBG 350, 1-18W max. self-ballasted lamp or 1-40W medium base, HMBG 550, 1-26W max. self-ballasted lamp or 1-100W medium base, HMBG 750, 1-30W max. self-ballasted lamp or 1-150W medium base; 120 V, 60 Hz.

/svr



## CERTIFICATION RECORD

The company named below has been authorized by CSA International to represent the products listed in this record as "CSA Certified" and to affix the CSA Mark to these products according to the terms and conditions of the CSA Service Agreement and applicable CSA program requirements (including additional Markings).

File No: 222698

Class No: 3425 85 LUMINAIRES Luminaires - Miscellaneous - Certified to US Standards

### SUBMITTOR

4695246 Moonlight Aussenleuchten GmbH  
Öflinger strasse 41  
Wehr, 79664  
Germany

### FACTORIES

4695246 Moonlight Aussenleuchten GmbH  
Öflinger strasse 41  
Wehr, 79664  
Germany

April 20, 2006

Floor mounted or partly ground-mounted recessed luminaires, outdoor, Models: MAG 250, 1-10W max. self-ballasted lamp or 1-25W medium base, MAG 350, 1-18W max. self-ballasted lamp or 1-40W medium base, MAG 550, 1-27W max. self-ballasted lamp or 1-100W medium base, MAG 750 1-30W max. self-ballasted lamp or 1-150W medium base; HMAG 350, 1-18W max. self-ballasted lamp or 1-40W medium base, HMAG 550, 1-26W max. self-ballasted lamp or 1-100W medium base; HMAG 750, 1-30W max. self-ballasted lamp or 1-150 W medium base; MBG 250, 1-10W max. self-ballasted lamp or 1-25W medium base, MBG 350, 1-18W max. self-ballasted lamp or 1-40W medium base, MBG 550, 1-27W max. self-ballasted lamp or 1-100W medium base, MBG 750, 1-30W max. self-ballasted lamp or 1-150W medium base; HMBG 350, 1-18W max. self-ballasted lamp or 1-40W medium base, HMBG 550, 1-26W max. self-ballasted lamp or 1-100W medium base, HMBG 750, 1-30W max. self-ballasted lamp or 1-150W medium base; 120 V, 60 Hz.

/svr



## CERTIFICATION RECORD

The company named below has been authorized by CSA International to represent the products listed in this record as "CSA Certified" and to affix the CSA Mark to these products according to the terms and conditions of the CSA Service Agreement and applicable CSA program requirements (including additional Markings).

File No: 222698  
Class No: 3451 01 PORTABLE LUMINAIRES

### SUBMITTOR

4695246 Moonlight Aussenleuchten GmbH  
Öflinger strasse 41  
Wehr, 79664  
Germany

### FACTORIES

4695246 Moonlight Aussenleuchten GmbH  
Öflinger strasse 41  
Wehr, 79664  
Germany

April 20, 2006

Portable luminaires, outdoor, Models: MFL 250, 1-10W max. self-ballasted lamp or 1-25W medium base, MFL 350, 1-18W max. self-ballasted lamp or 1-40W medium base, MFL 550, 1-27W max. self-ballasted lamp or 1-100W medium base, MFL 750, 1-30W max. self-ballasted lamp or 1-150W medium base; HMFL 350, 1-18W max. self-ballasted lamp or 1-40W medium base, HMFL 550, 1-26W max. self-ballasted lamp or 1-100W medium base, HMFL 750, 1-30W max. self-ballasted lamp or 1-150W medium base; 120 V, 60 Hz.

/svr





## CERTIFICATION RECORD

The company named below has been authorized by CSA International to represent the products listed in this record as "CSA Certified" and to affix the CSA Mark to these products according to the terms and conditions of the CSA Service Agreement and applicable CSA program requirements (including additional Markings).

File No: 222698

Class No: 3451 81 PORTABLE LUMINAIRES Certified to US Standards

### SUBMITTOR

4695246 Moonlight Aussenleuchten GmbH  
Öflinger strasse 41  
Wehr, 79664  
Germany

### FACTORIES

4695246 Moonlight Aussenleuchten GmbH  
Öflinger strasse 41  
Wehr, 79664  
Germany

April 20, 2006

Portable luminaires, outdoor, Models: MFL 250, 1-10W max. self-ballasted lamp or 1-25W medium base, MFL 350, 1-18W max. self-ballasted lamp or 1-40W medium base, MFL 550, 1-27W max. self-ballasted lamp or 1-100W medium base, MFL 750, 1-30W max. self-ballasted lamp or 1-150W medium base; HMFL 350, 1-18W max. self-ballasted lamp or 1-40W medium base, HMFL 550, 1-26W max. self-ballasted lamp or 1-100W medium base, HMFL 750, 1-30W max. self-ballasted lamp or 1-150W medium base; 120 V, 60 Hz.

/svr